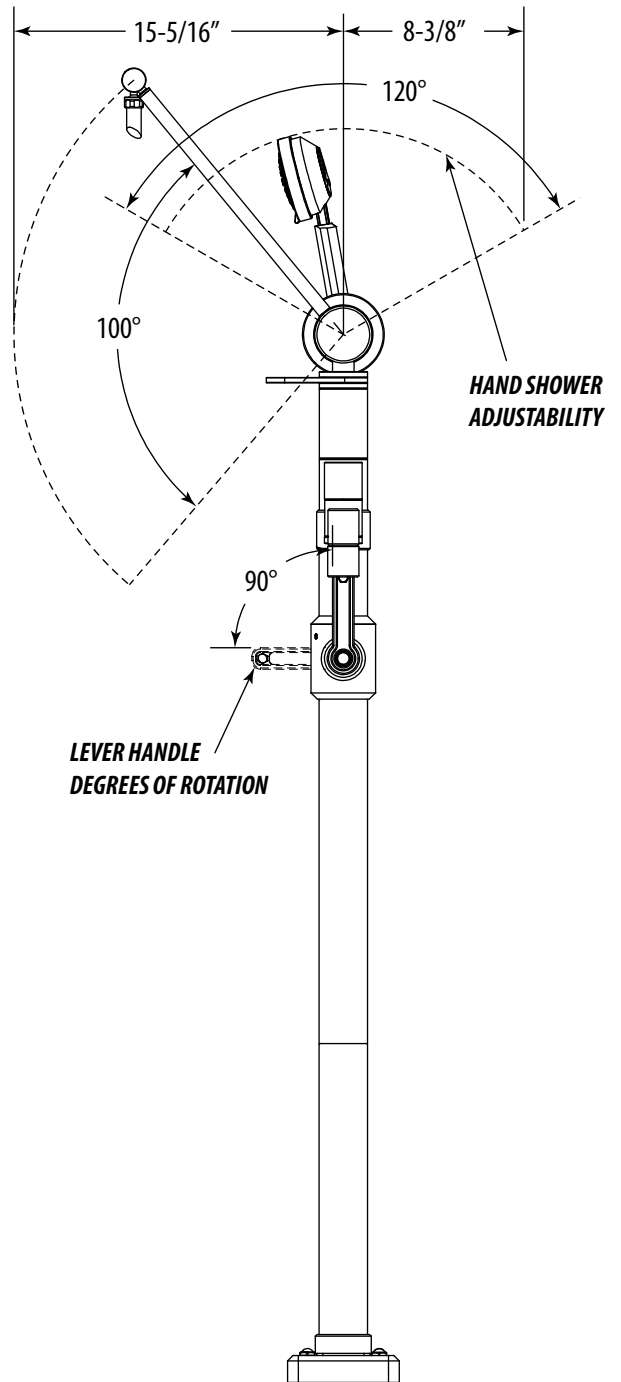
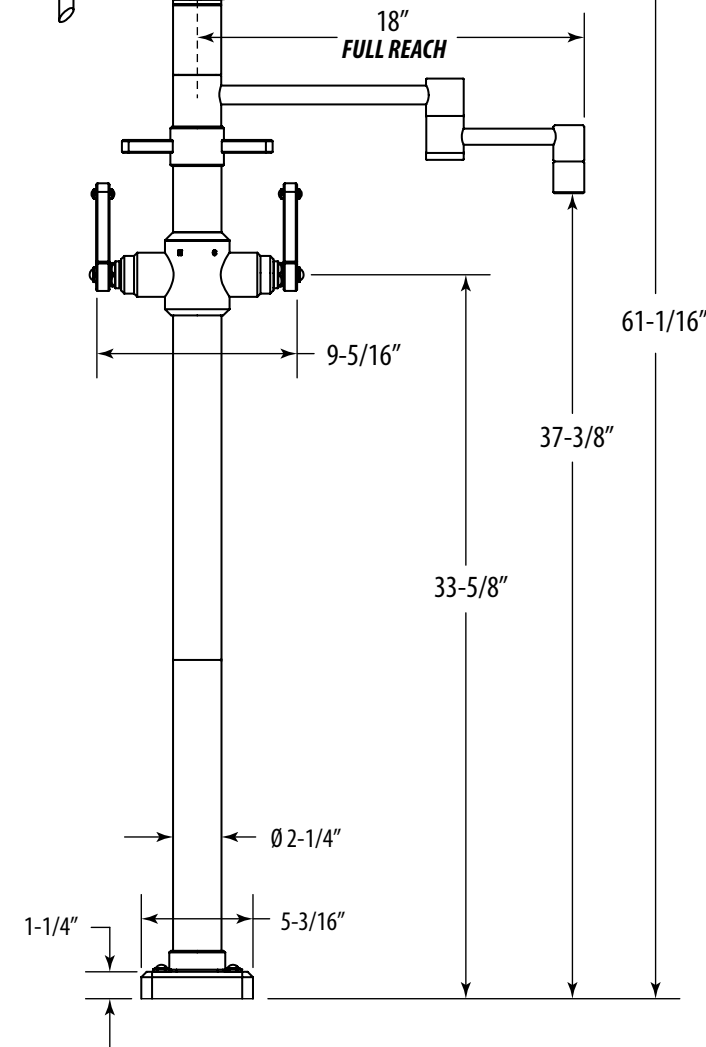


ARGONAUT FREESTANDING TUB FILLER W/ HAND SHOWER

AG245-1

REQUIRES ROUGH-IN VALVE #10123

60" SHOWER HOSE



DIMENSIONS MAY VARY AND ARE SUBJECT TO CHANGE. NO RESPONSIBILITY IS ASSUMED FOR USE OF SUPERCEDED OR VOIDED DATA

