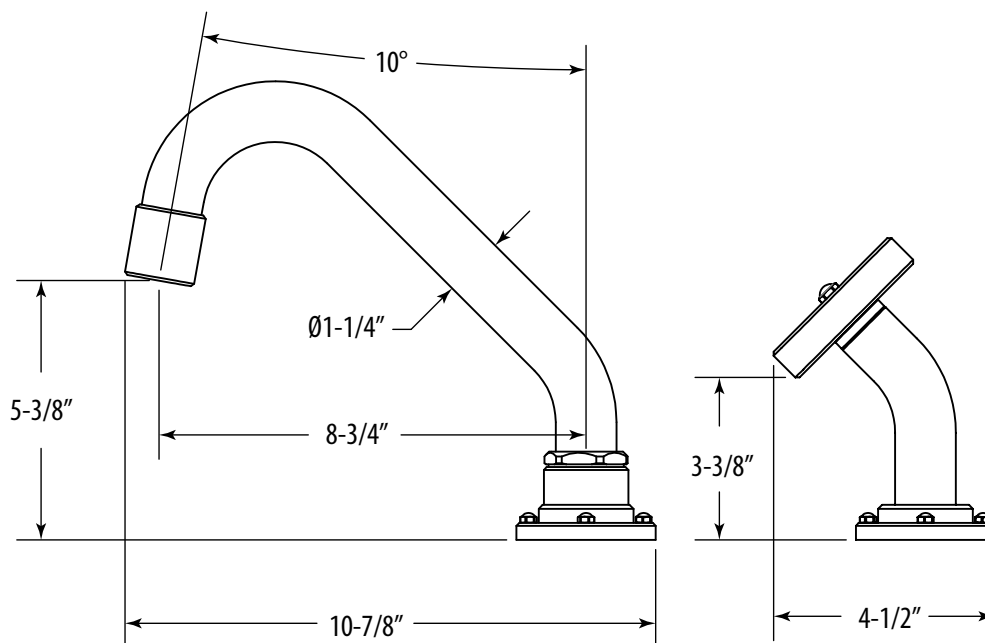
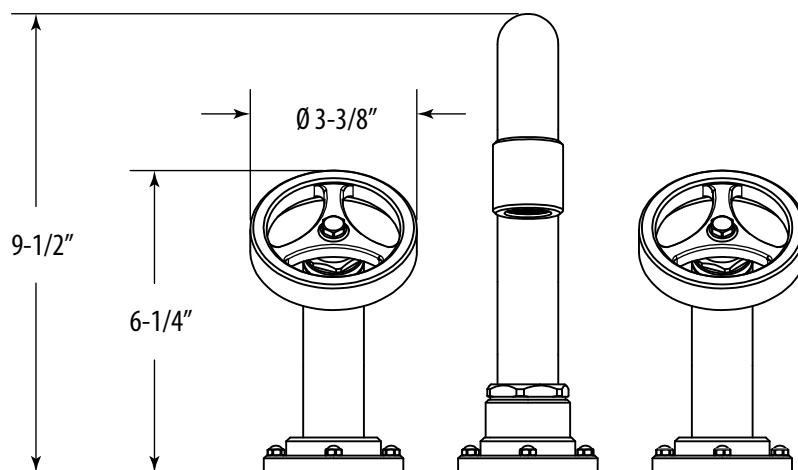


ARGONAUT DECK MOUNT TUB FILLER

AG241-1

REQUIRES ROUGH-IN VALVE #10I24A



DIMENSIONS MAY VARY AND ARE SUBJECT TO CHANGE. NO RESPONSIBILITY IS ASSUMED FOR USE OF SUPERCEDED OR VOIDED DATA

