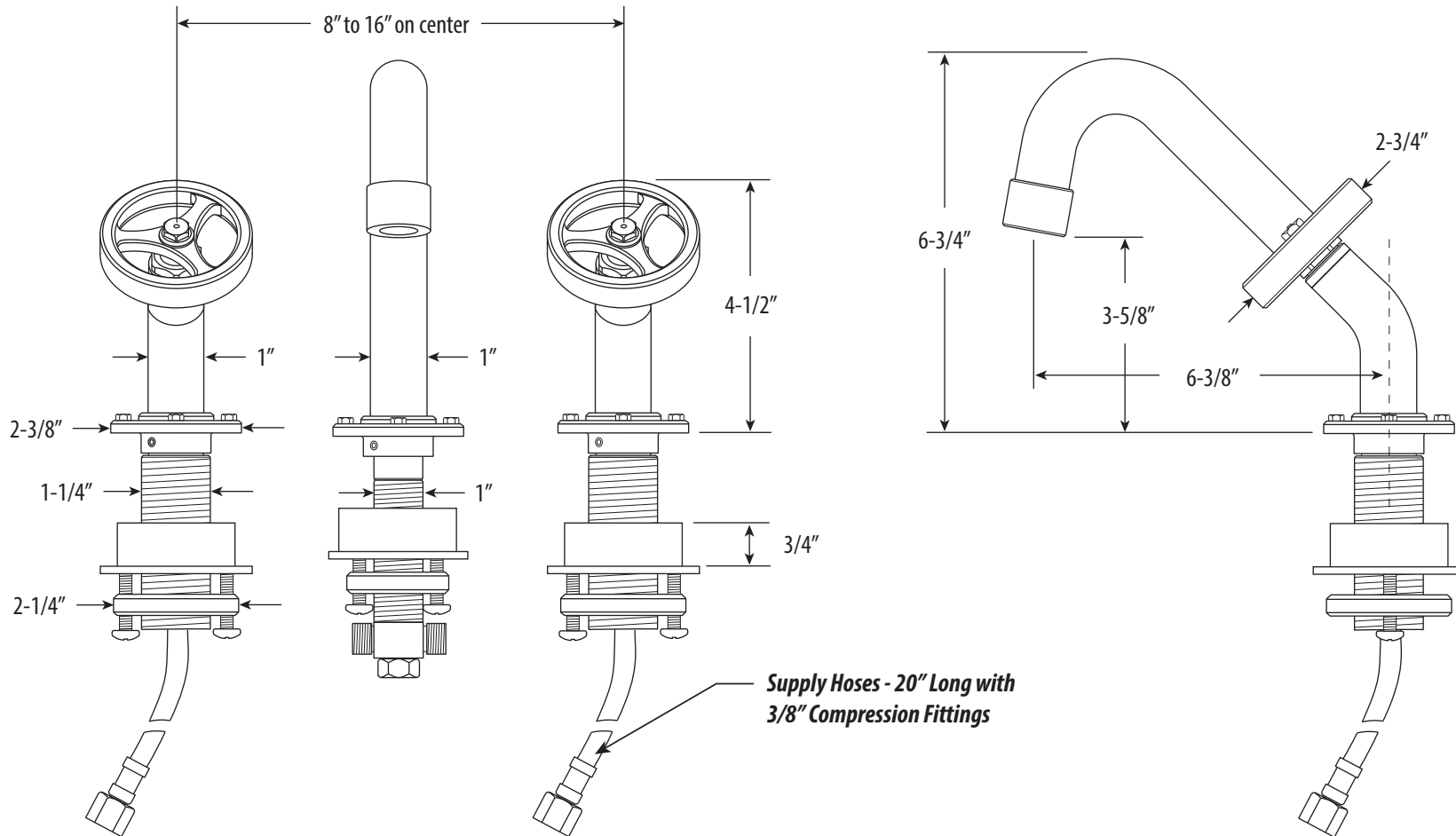


ARGONAUT WIDESPREAD LAVATORY FAUCET / ANGLED HUBS - KNOB HANDLES

AG210-1

- MAX COUNTER OR SINK THICKNESS 2-3/8"
- MINIMUM INSTALL HOLE SIZE 1-1/2"



DIMENSIONS MAY VARY AND ARE SUBJECT TO CHANGE. NO RESPONSIBILITY IS ASSUMED FOR USE OF SUPERCEDED OR VOIDED DATA