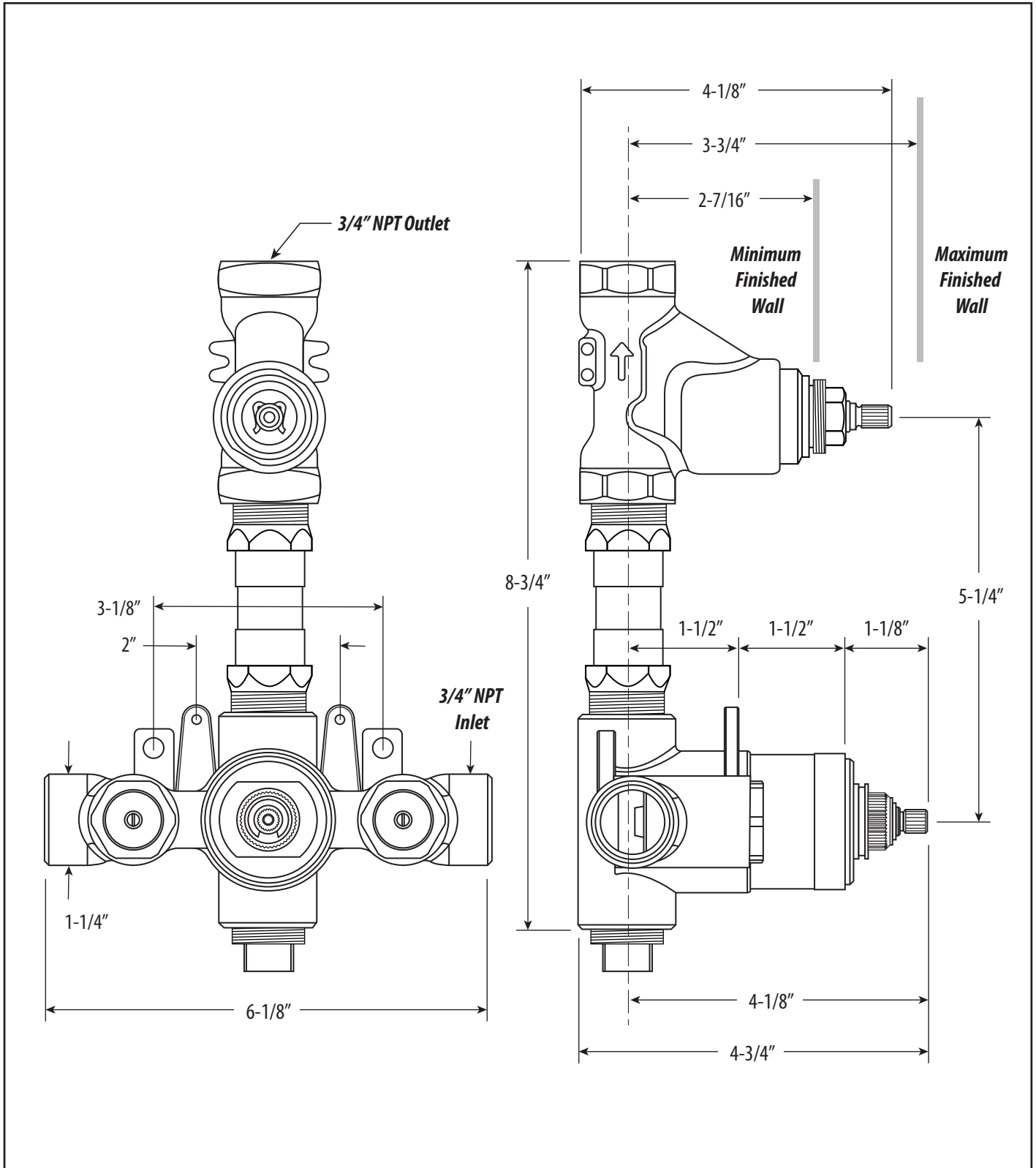


THERMOSTATIC SHOWER VALVE (ROUGH-IN FOR AG221-I)

10120



DIMENSIONS MAY VARY AND ARE SUBJECT TO CHANGE. NO RESPONSIBILITY IS ASSUMED FOR USE OF SUPERCEDED OR VOIDED DATA

