

# WATERMARK

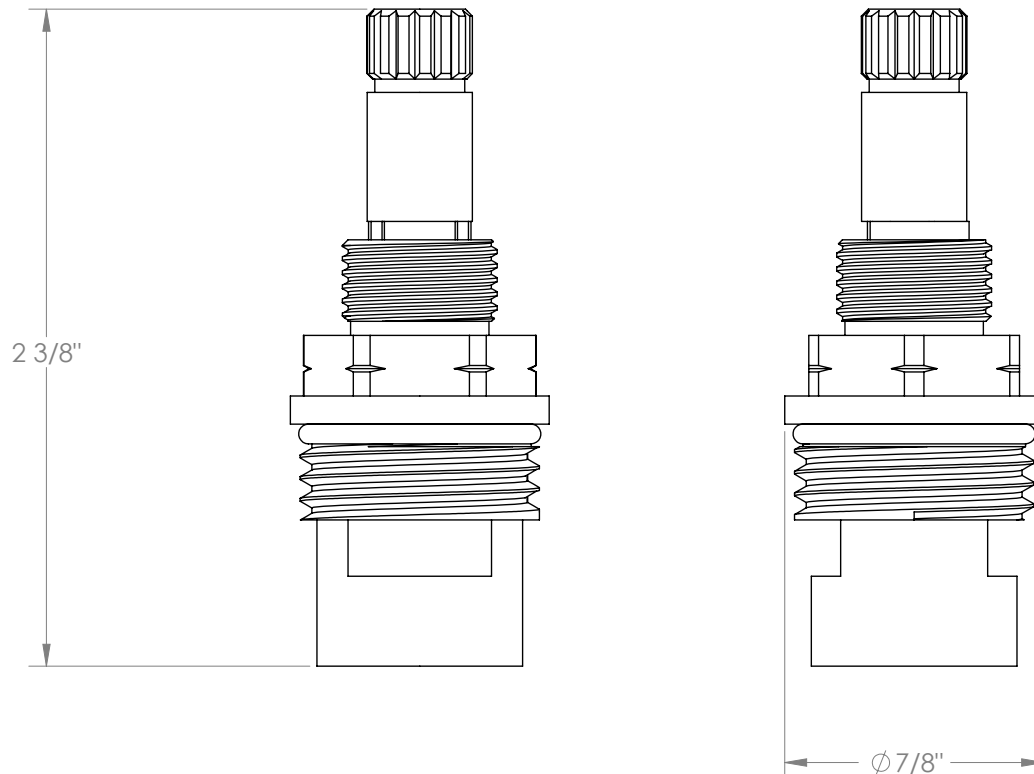
BROOKLYN, NEW YORK



## Cartridges CRT502-EVLEFT

Hot Cartridge for Faucets with Handle on Left Side

- Professional Installation Required



Meets the applicable requirements of ASME A112.18.1/CSA B125.1, entitled "Plumbing Supply Fittings".

Watermark Designs reserves the right to make revisions without notice to product specifications. All product dimensions are nominal.

Updated: 10/2024

350 Dewitt Ave. Brooklyn, NY 11207 USA | T: 1 718 257 2800 | F: 1 718 257 2144 | customerservice@watermark-designs.com