

38-7.2-_-EV4

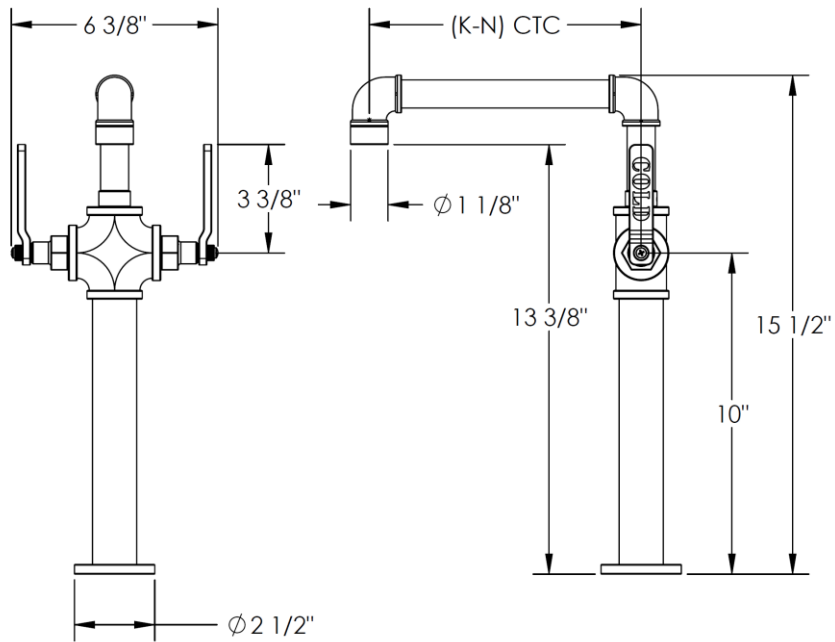
Deck Mounted Single Hole Kitchen Faucet

Flow Rate: 1.75 GPM

Note: Please specify (K-N)



ROJECTION
K = 5.5"
L = 6.5"
M = 7.5"
N = 8.5"



Meets the applicable requirements of ASME A112.18.1-2005/CSA B125.1-05, entitled "Plumbing Supply Fittings"