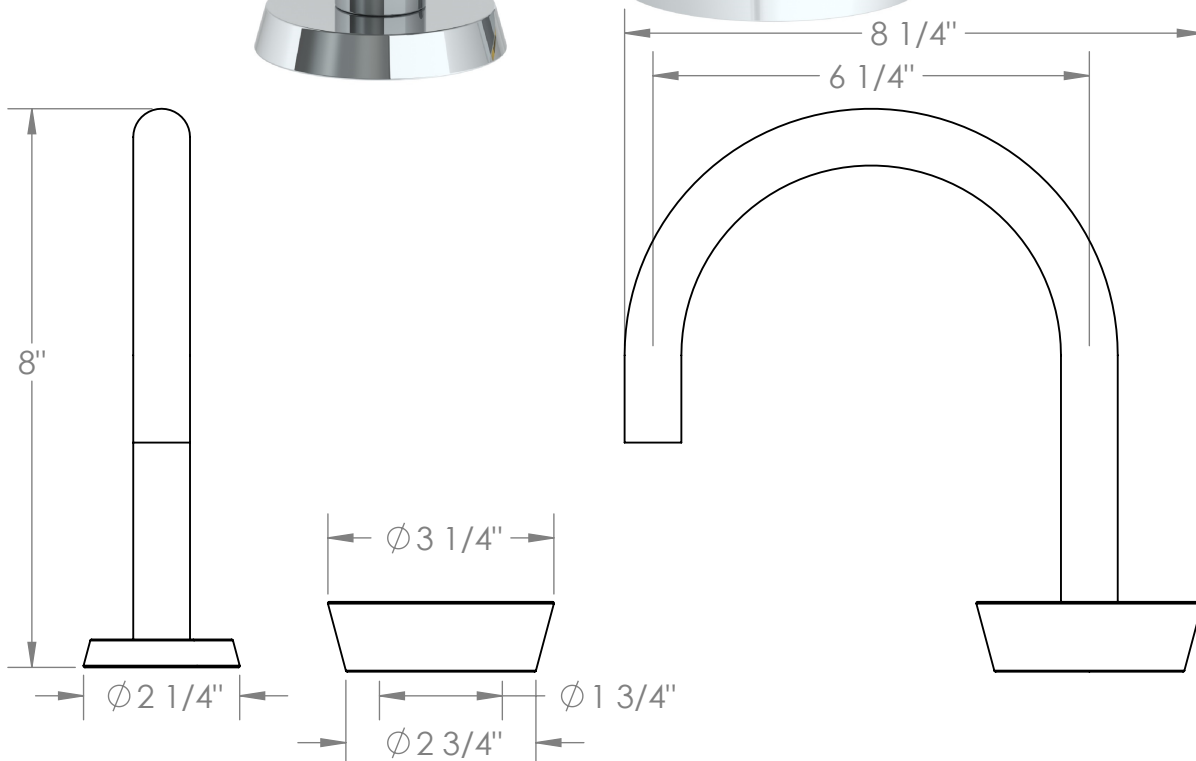


36-1.3S-BL1

Deck Mounted 2 Hole Gooseneck Lavatory Set with Short Spout

Includes MPU5 soft-touch drain

Flow Rate: 1.2 GPM



Meets the applicable requirements of ASME A112.18.1-2005/CSA B125.1-05, entitled "Plumbing Supply Fittings"