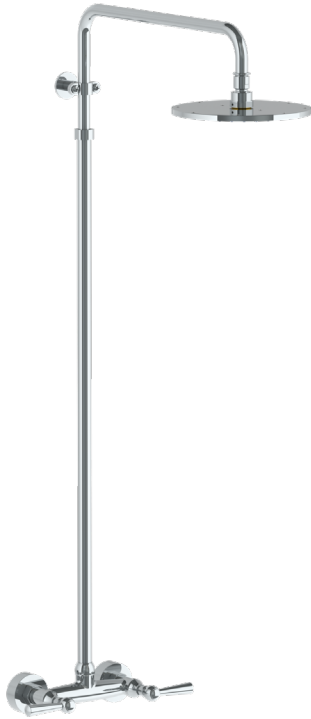


WATERMARK

BROOKLYN, NEW YORK

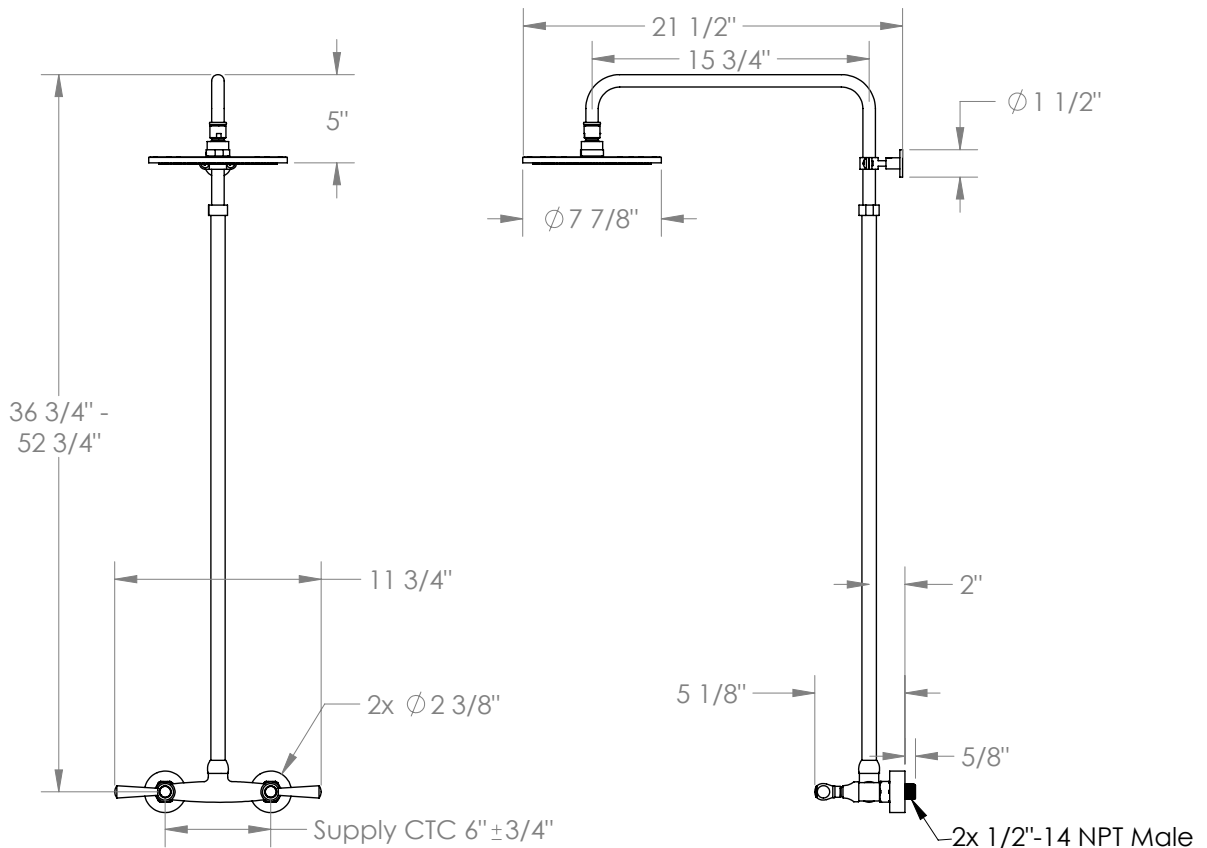
Haley
34-6.1-S1A

Wall Mounted Exposed Shower



- Includes SH-TIT50 Shower Head
- Some building codes require remote pressure balance valves for anti-scald
- Shower Head Flow Rate: 1.75 GPM
- 1/2"-14 NPT Male Wall Connection
- 1/4 Turn Ceramic Cartridge
- All Solid Brass Construction
- Professional Installation Required

Available in all finishes shown on the [Watermark Designs website](#)



Meets the applicable requirements of ASME A112.18.1/CSA B125.1, entitled "Plumbing Supply Fittings".

Watermark Designs reserves the right to make revisions without notice to product specifications. All product dimensions are nominal.

04/2024

350 Dewitt Ave. Brooklyn, NY 11207 USA | T: 1 718 257 2800 | F: 1 718 257 2144 | customerservice@watermark-designs.com