

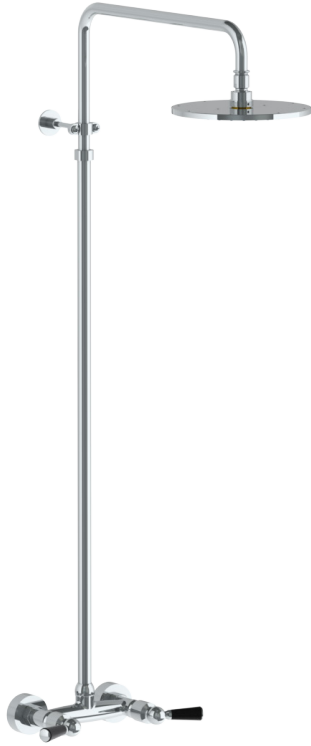
WATERMARK

BROOKLYN, NEW YORK

Haley

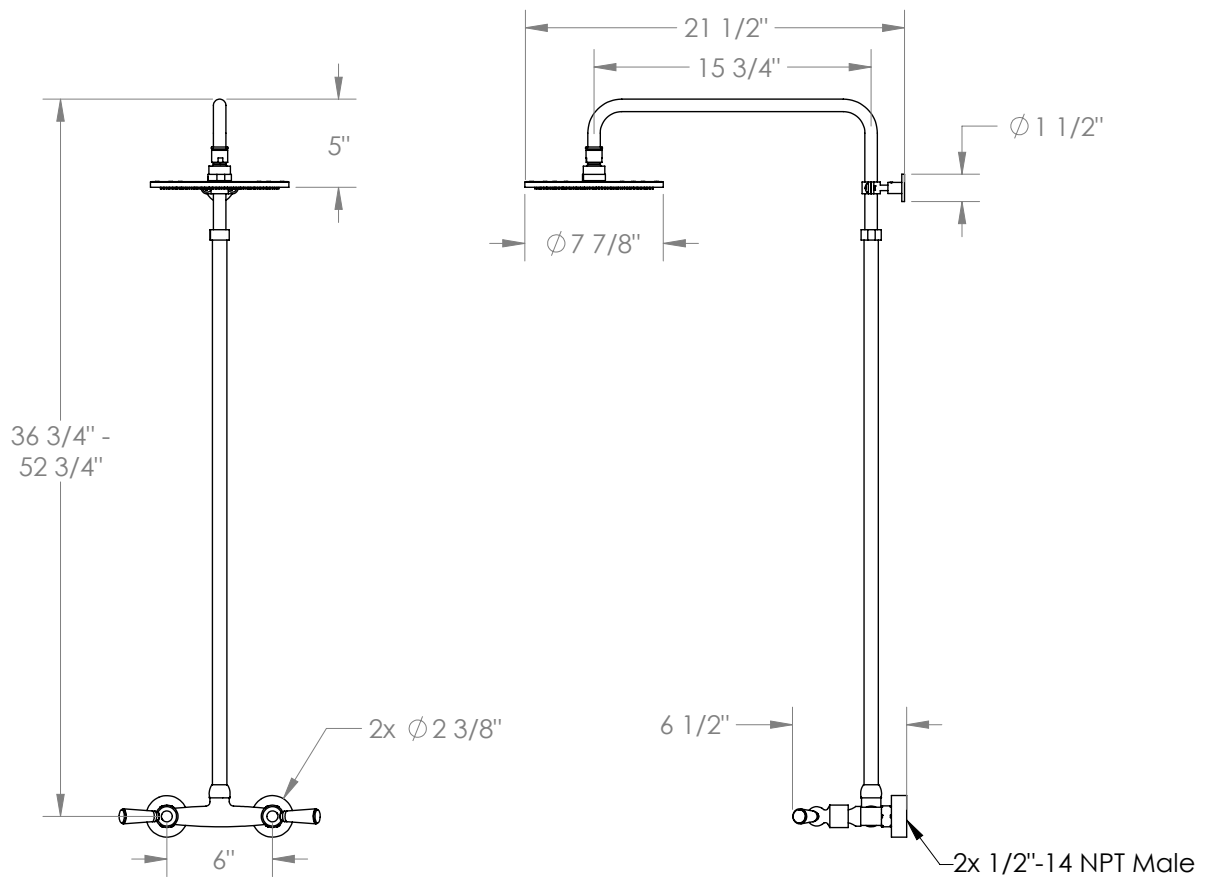
34-6.1-H4

Wall Mounted Exposed Shower



- Flow Rate: 1.75 GPM @ 45-80 PSI, other flow rates available
- Easy to Clean Silicone Rubber Nozzles
- Brass Construction
- Note: Some building codes may require remote pressure balance valves for anti-scald, such as the SS-PB50
- Professional Installation Required

Available in all finishes shown on the [Watermark Designs website](#)



Meets the applicable requirements of ASME A112.18.1/CSA B125.1, entitled "Plumbing Supply Fittings".

Watermark Designs reserves the right to make revisions without notice to product specifications. All product dimensions are nominal.

04/2024

350 Dewitt Ave. Brooklyn, NY 11207 USA | T: 1 718 257 2800 | F: 1 718 257 2144 | customerservice@watermark-designs.com