

# WATERMARK

BROOKLYN, NEW YORK

Stratford

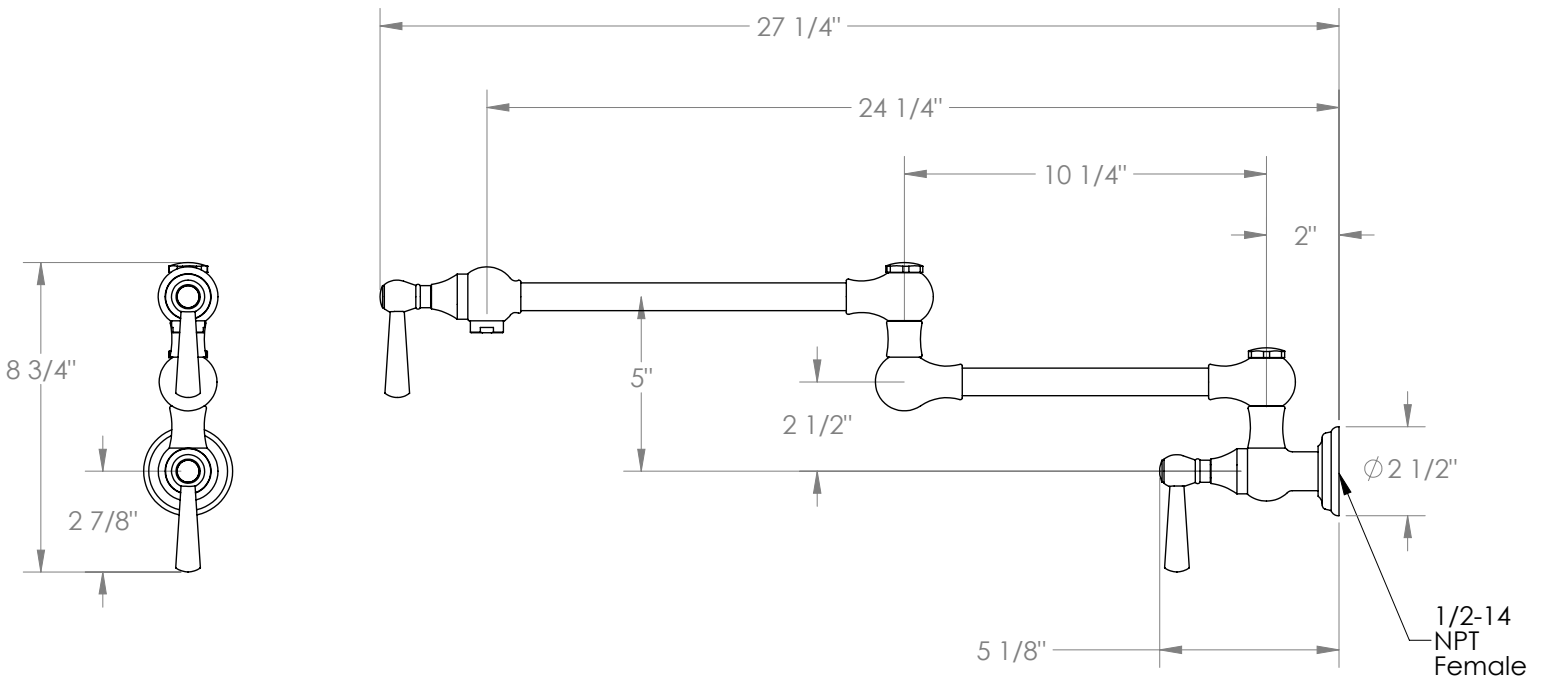
321-7.8-S1A

Wall Mounted Pot Filler



- Flow Rate: 7.5 GPM
- 1/2"-14 NPT Female Wall Connection
- 1/4 Turn Ceramic Cartridge
- All Lead-Free Brass Construction
- 360° Rotating Spout
- Professional Installation Required

Available in all finishes shown on the [Watermark Designs website](#)



Meets the applicable requirements of ASME A112.18.1/CSA B125.1, entitled "Plumbing Supply Fittings".

Watermark Designs reserves the right to make revisions without notice to product specifications. All product dimensions are nominal.

04/2024

350 Dewitt Ave. Brooklyn, NY 11207 USA | T: 1 718 257 2800 | F: 1 718 257 2144 | customerservice@watermark-designs.com