

# WATERMARK

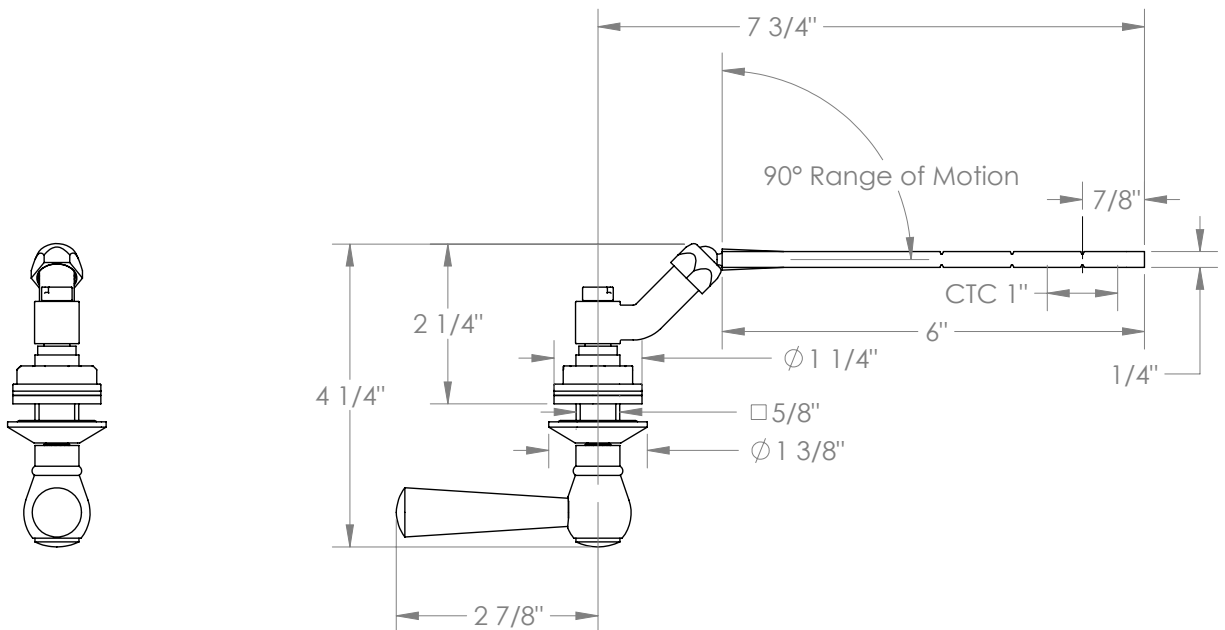
BROOKLYN, NEW YORK

**Stratford**  
**321-0.11-S1A**  
Tank Lever

- Handle can be mounted in the front or on the side.
- Does not work on all toilets. Please check specs first.
- All Solid Brass Construction
- Professional Installation Required



Available in all finishes shown on the [Watermark Designs website](https://www.watermark-designs.com)



Meets the applicable requirements of ASME A112.18.1/CSA B125.1, entitled "Plumbing Supply Fittings".

Watermark Designs reserves the right to make revisions without notice to product specifications. All product dimensions are nominal.

04/2024

350 Dewitt Ave. Brooklyn, NY 11207 USA | T: 1 718 257 2800 | F: 1 718 257 2144 | [customerservice@watermark-designs.com](mailto:customerservice@watermark-designs.com)