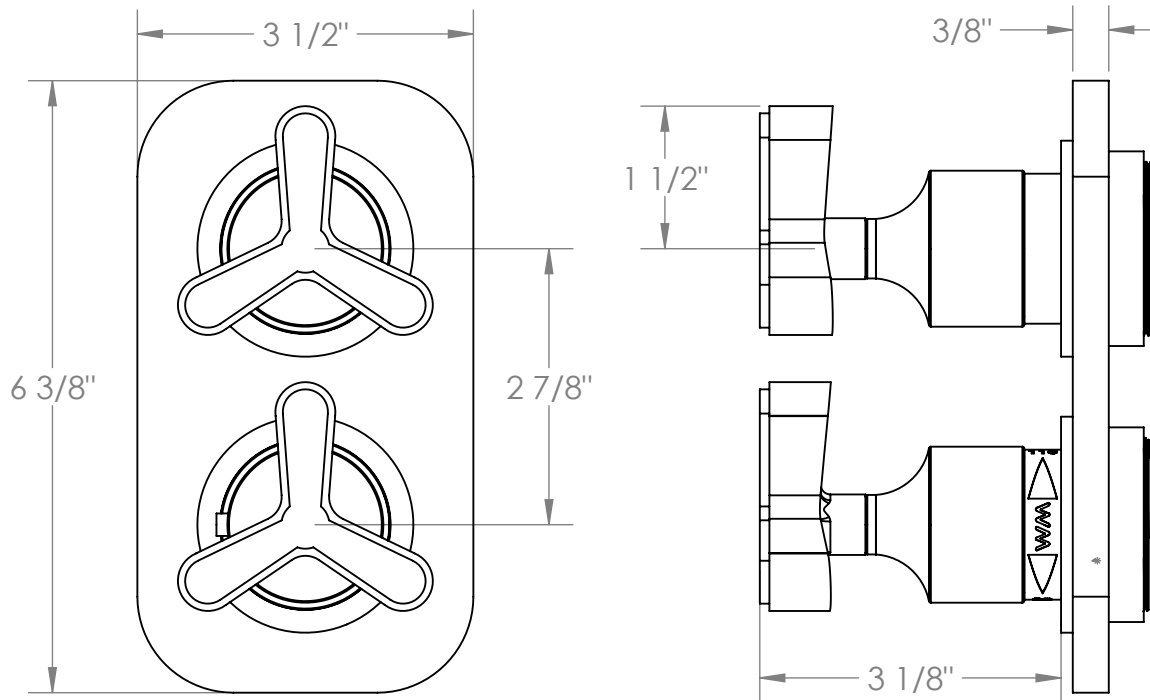
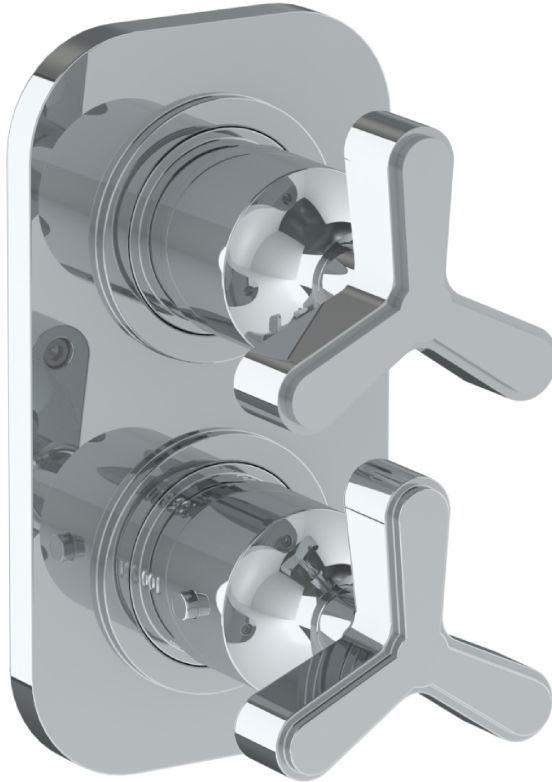


30-T25-TR25

Wall Mounted Mini Thermostatic Trim Kit with Built-In Control
For use with SS-TH60 or SS-TH70 concealed rough



Meets the applicable requirements of ASME A112.18.1-2005/CSA B125.1-05, entitled "Plumbing Supply Fittings"