

WATERMARK

BROOKLYN, NEW YORK



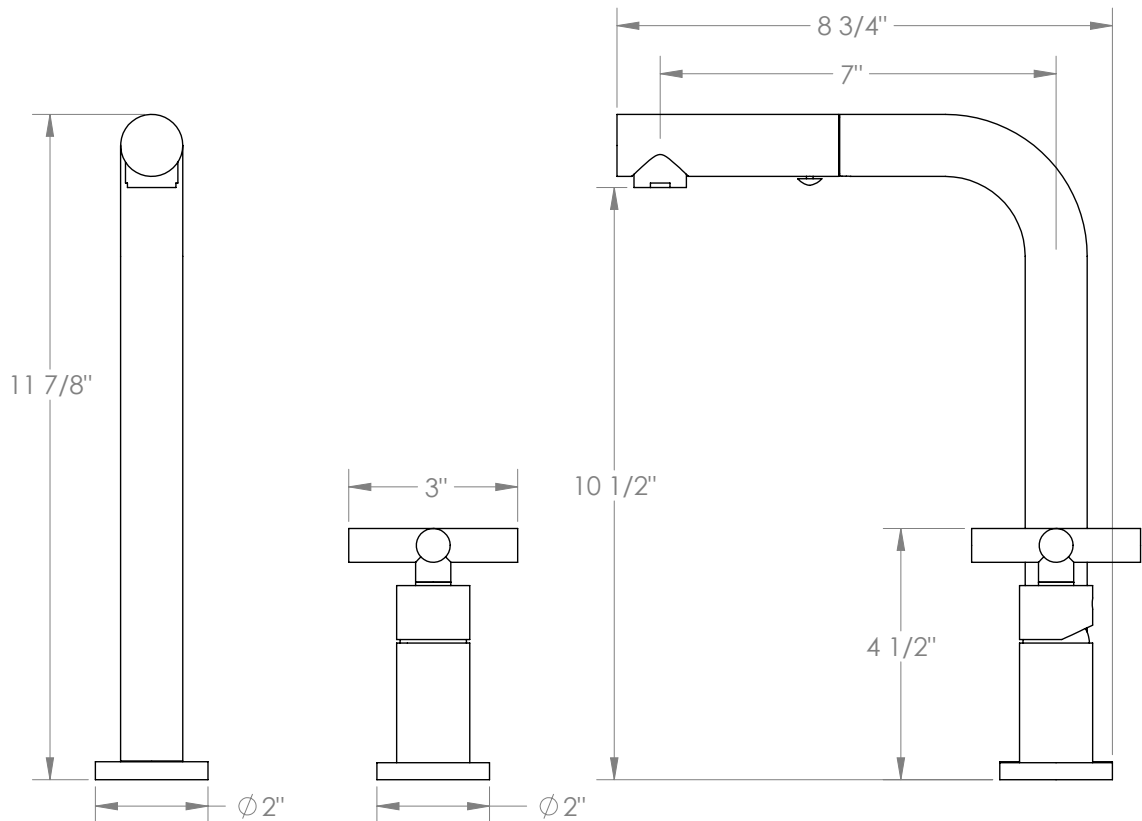
Loft 2.0

23-9.1.3P1-L9V

Deck Mounted 2 Hole Square Top Prep Faucet
with Pull Out Spray

- Pullout Hose Length: 14-16" (Final Length May Vary Depending on Spout Type)
- 2 Flow Patterns, Aerated and Spray, Controlled By One Button
- Fits Deck Up To 2-1/2" Thick
- Flow Rate: 1.75 GPM
- 3/8" Compression Supply Hoses
- Recommended Mounting Hole: 1-3/8"
- Ceramic Mixing Cartridge
- All Lead-Free Brass Construction
- 360° Rotating Spout
- Professional Installation Required

Available in all finishes shown on the [Watermark Designs website](#)



Meets the applicable requirements of ASME A112.18.1/CSA B125.1, entitled "Plumbing Supply Fittings".

Watermark Designs reserves the right to make revisions without notice to product specifications. All product dimensions are nominal.

07/2024

350 Dewitt Ave. Brooklyn, NY 11207 USA | T: 1 718 257 2800 | F: 1 718 257 2144 | customerservice@watermark-designs.com