

Connelly - WASHLET®+ S5 Two-Piece Toilet - 1.28 GPF/0.9 GPF

FEATURES

- Concealed supply connection for seamless installation
- 3D TORNADO FLUSH® system, high-efficiency dual-flush 1.28 GPF/0.9 GPF (4.8 LPF/3.4 LPF)
- CEFIONTECT® ceramic glaze minimizes waste from sticking to porous ceramic surfaces
- UNIVERSAL HEIGHT
- 12" Rough-in
- Chrome plated trip lever
- Elongated front bowl toilet and tank with WASHLET+ S5 set
- EWATER+® auto-cleans wand after every use
- PREMIST® automatically mists the bowl before each use
- Self-cleaning wand cleans itself inside and out before and after every use
- CLEAN RESIN® keeps wand and seat cleaner, more hygienic, and effortless to maintain
- Multifunction remote control with personalized memory settings for up to 4 users
- Night light illuminates the inside of the bowl



**DYNAMAX
TORNADO FLUSH**



EWATER+



CEFIONTECT



**UNIVERSAL
HEIGHT**

MODELS

- **MW4943446CEMFG (#01)**
With CEFIONTECT ceramic glaze, WASHLET+ S5 with contemporary design
 - **CT494CEFGT40**
Elongated bowl with CEFIONTECT
 - **ST494MA**
Tank and cover only
 - **SW3446**
WASHLET+ S2
 - **9AU321-A**
WASHLET Adaptor

OPTIONAL COMPONENTS

- **THU416(#01, #BN, #PN)**
Trip Lever - Cotton, Brushed Nickel, Polished Nickel)

COLORS/FINISHES

- #01 Cotton

PRODUCT SPECIFICATION

The two-piece high-efficiency 3D TORNADO FLUSH system toilet shall be dual-flush 1.28 GPF/0.9 GPF (4.8 LPF/3.4 LPF). Toilet shall be 12" Unifit rough-in. Toilet shall have optional CEFIONTECT ceramic glaze and be at UNIVERSAL HEIGHT. Toilet shall have elongated front bowl with Polished Chrome trip lever. Toilet shall be TOTO Model MW4943446CEMFG#01.

See SW3446 Specification Sheet for details on included WASHLET.

CODES/STANDARDS

- Meets and exceeds ASME A112.19.2/CSA B45.1
- Certifications: IAPMO(cUPC®), EPA WaterSense, State of Massachusetts, and others
- Code Compliance: UPC, IPC, NSPC, NPC Canada, and others
- Legislative Compliance: California AB715, California Green Building Code, City of Los Angeles Water Efficiency Ordinance, and others
- ADA compliant for residential use when installed with trip lever located on the approach side
- Complies with CA Prop 65 warning requirements



MW4943446CEMFG

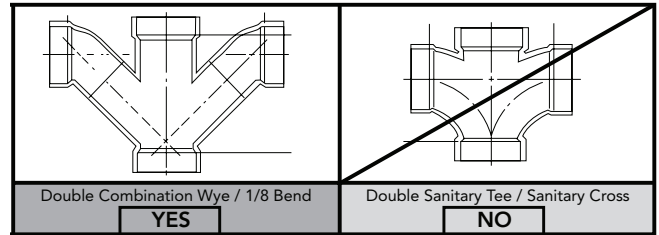
Connelly - WASHLET®+ S5 Two-Piece Toilet - 1.28 GPF/0.9 GPF

Water Use	1.28 GPF / 0.9 GPF (4.8 LPF / 3.4 LPF)
Flush System	3D TORNADO FLUSH®
Min. Water Pressure	8 psi (Flowing)
Water Surface	5-5/8" x 4-1/8"
Trap Diameter	2-1/8"
Rough-in	12"
Trap Seal	2-1/8"
Warranty	One Year Limited Warranty
Material	Vitreous China
Shipping Weight	CT494CEFGT40: 70 lbs ST494MA: 31 lbs SW3446: 15.4 lbs
Shipping Dimensions	CT494CEFGT40 30-3/4" L x 17-3/8" W x 20-1/2" H ST494MA 17-1/4" L x 7-7/8" W x 17-1/2" H SW3446 24-3/8" L x 17-9/16" W x 7-7/16" H

INSTALLATION NOTES

Back-to-Back Toilet Installations:

TOTO recommends the use of a nationally listed, double sanitary tee-wye only, in vertical waste stacks, in accordance with the stipulations noted in the majority of nationally recognized plumbing codes.

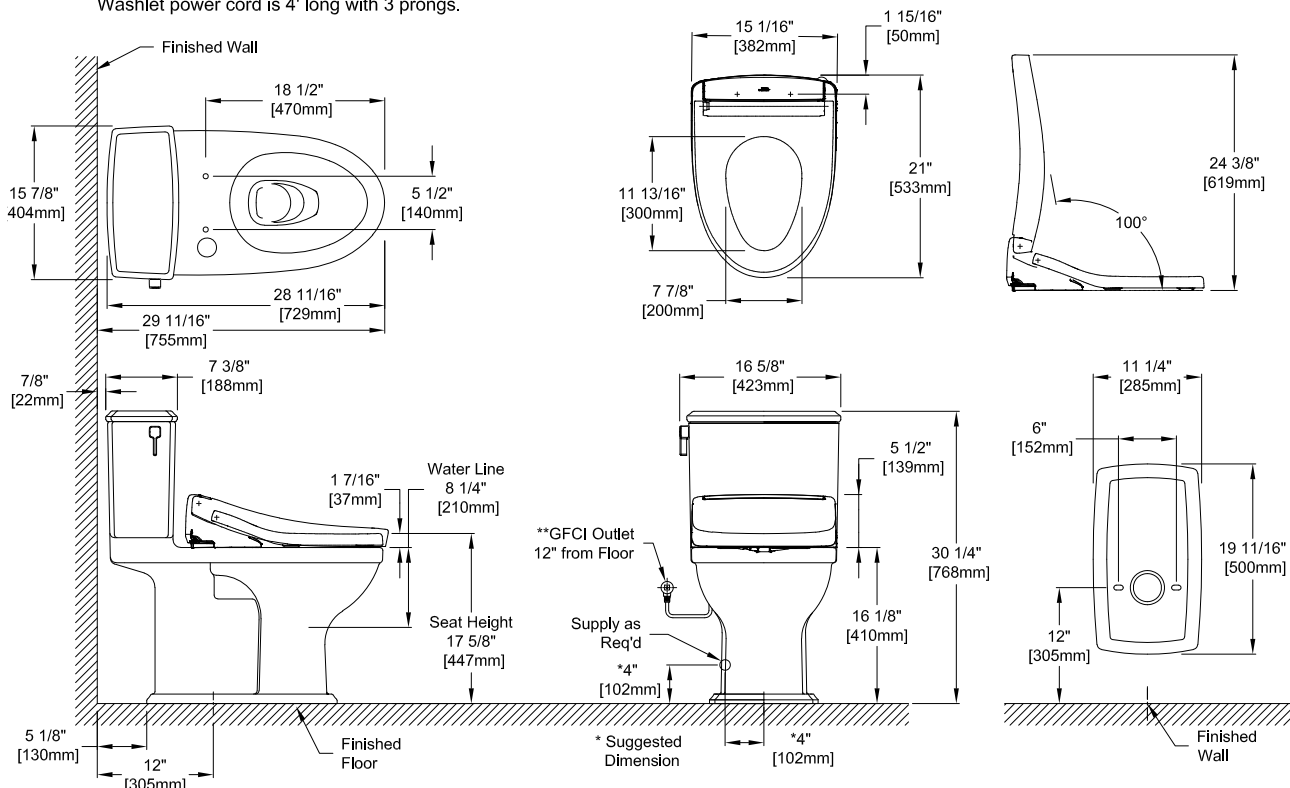


To maintain adequate wall gap between the back of the tank and wall, mount the floor flange at a nominal 12" rough-in distance.

See SW3446 Specification Sheet for details on included WASHLET.

DIMENSIONS

**GFCI outlet of 120V, 15A
Washlet power cord is 4' long with 3 prongs.



TOTO

These dimensions and specifications are subject to change without notice