

Libella® Wall-Mount IoT-Enabled ECOPOWER® Faucet

FEATURES

- Wireless Communication
- Connects seamlessly with Georgia-Pacific's (GP) KOLO™ Smart Monitoring System and through an API to facilities monitoring platforms
- Service agreement with GP required to enable IoT or Smart Features
- ECOPOWER faucet's operation is independent of its IoT capability
- Some of the IoT-enabled Smart Features include: failure detection, usage, water consumption, and battery/capacitor charge
- Self-generating hydropowered ECOPOWER system
- No minimum daily usage requirement
- Micro-sensor positioned underneath the spout head for accurate hand detection ensuring smooth and consistent water distribution
- Vandal resistant aerator housing
- Durable chrome plated spout body
- Single-hole mount
- Kit includes spout body, controller box, and mounting hardware - less supply lines
- Aerated flow
- Contributes to earning LEED® credits
- Equipped with 0.35 gpm flow control



PRODUCT SPECIFICATION

TOTO Model # _____ The faucet shall have hydropowered self-generating, ECOPOWER System. The faucet shall have maximum of 60 seconds on-demand flow (0.35 gpm) or 20 seconds on-demand flow (0.11gpc). The faucet shall have self-adjusting sensor. Product equipped with 0.35gpm flow regulator.

MODELS

- TEL1C3i2-D60E#CP**
 - TELS1C3 (Libella Wall-Mount Spout)
 - TELC103i2-D60E (Controller: 0.35gpm, 60 sec on-demand)
- TEL1C3i2-D60EM#CP
 - **TEL1C3i2-D60E#CP** (Libella Wall-Mount Spout Kit)
 - TLM10 (Mixing Valve)
- TEL1C3i2-D60ET#CP
 - **TEL1C3i2-D60E#CP** (Libella Wall-Mount Spout Kit)
 - TLT20 (Thermostatic Mixing Valve)
- TEL1C3i2-D20E#CP**
 - TELS1C3 (Libella Wall-Mount Spout)
 - TELC103i2-D20E (Controller: 0.11gpc, 20 sec on-demand)
- TEL1C3i2-D20EM#CP
 - **TEL1C3i2-D20E#CP** (Libella Wall-Mount Spout Kit)
 - TLM10 (Mixing Valve)
- TEL1C3i2-D20ET#CP
 - **TEL1C3i2-D20E#CP** (Libella Wall-Mount Spout Kit)
 - TLT20 (Thermostatic Mixing Valve)

CODES/STANDARDS

- Operates below federally mandated consumption limit of 0.25gpc
- Complies to California Green Building Code/ CALGreen of 0.20gpc
- Meets or exceeds ASME A112.18.1/CSA B125.1, and NSF 372
- FCC compliant to Part 15
- Certifications: IAPMO(cUPC), California Energy Commission (CEC) State of Massachusetts, and others
- Complies with California Green Code and City of Los Angeles Water Efficiency Ordinance
- ADA compliant
- Complies with Federal and State statutes as low-lead (contains a weighted average of 0.25% lead or less)
- Complies with CA Prop 65 warning requirements

* For codes and standards of mixing valve TLM10 and TLT20, please refer to corresponding product spec sheet.



TEL1C3i2 Series

Libella® Wall-Mount IoT-Enabled ECOPOWER® Faucet

SPECIFICATIONS

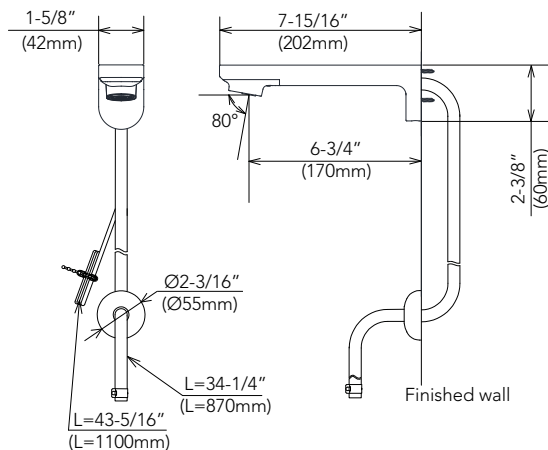
Power Supply	ECOPOWER	
Sensor Detection Range	5-1/8" - 7-7/8" (130 - 200mm) Sensor is self-adjusting	
Water Supply Pressure	Min (Dynamic/Flowing) Pressure: 15 psi (100kPa) Max (Static) Pressure: 80 psi (551kPa)	
Water Supply	G1/2 (1/2 NPSM compatible)	
Inlet Temperature Range	39-110°F(4-42°C)	
Ambient Temperature	32-104°F(0-40°C)	
Humidity	Max. 90% RH	
Flow Rate	D20E	0.11 gpc* - max 20 second On-Demand** (0.11 gpc = 0.35 gpm x 20/60 sec) Equipped with 0.35 gpm flow control
	D60E	0.35 gpm
Warranty	Three years	

*Gallons per cycle (gpc) is the amount of water per usage cycle.

**On-demand refers to the way in which the water is dispersed (i.e.; water is only dispersed when the sensor is activated by the user as needed).

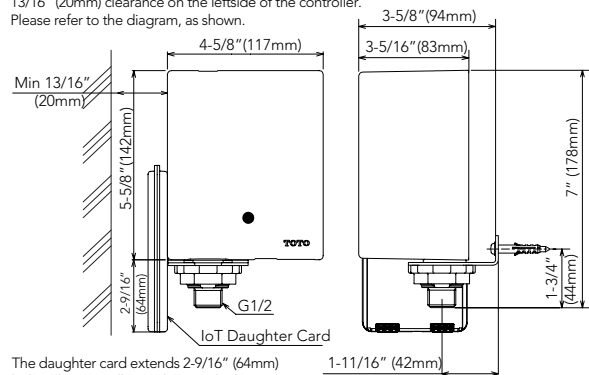
PRODUCT DIMENSIONS

Libella Wall-Mount

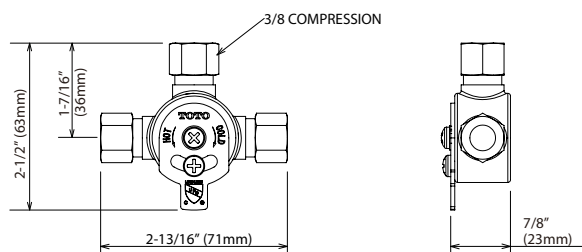


Controller

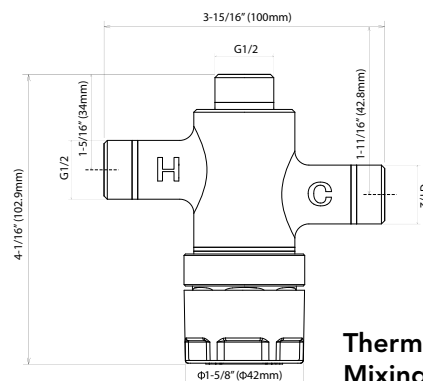
The IoT daughter card installation requires minimum 13/16" (20mm) clearance on the left side of the controller. Please refer to the diagram, as shown.



Available Mixing Valves



Hot/Cold Mixing Tee (TLM10)



Thermostatic Mixing Valve (TLT20)

TOTO

These dimensions and specifications are subject to change without notice