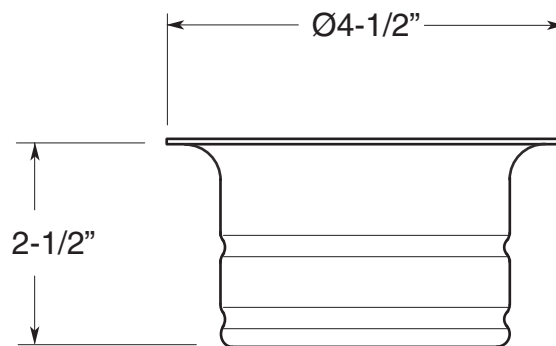
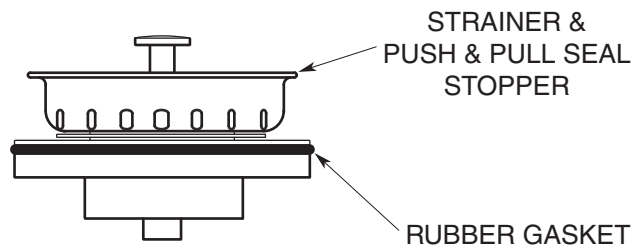


FEATURES:

- Stainless Steel construction body
- Use mounting hardware supplied with garbage disposal.
- Not available in all Sigma finishes
- Maximum deck thickness: 2.00"
- 3-1/2" to 4.00" dia. mounting hole required
- Meets: ASME A112.18.1-2005/CSAB125.1-2005

Kitchen & Bar

3-1/2" Fireclay Type Application
& ISE Type Disposer
Stopper & Strainer
APS.11.362



Note: Measurements are subject to change or cancellation. No responsibility is assumed for use of superseded or voided pages.