

Specifications

APS

American Plumbing Specialties

2 Hole Faceplate

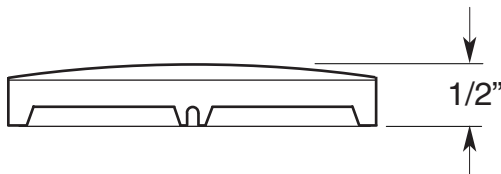
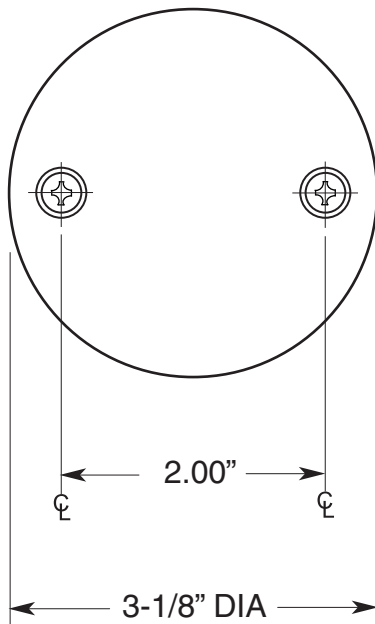
&

Toe Activated Tub Drain

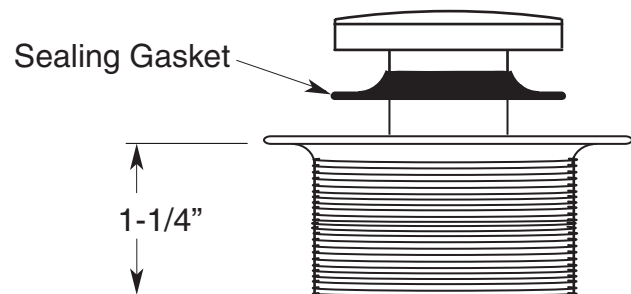
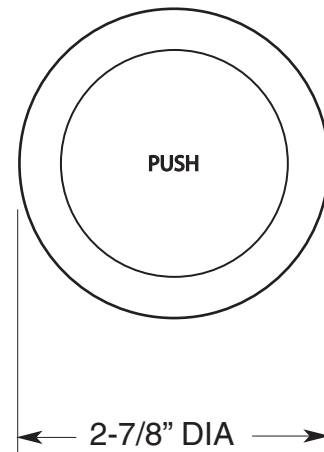
APS.11.293

FEATURES:

- All brass construction.
- Fits 1-1/2" IPS with mounting screws.
- Available in all finishes.
- Certified to meet and exceed the following codes and standards:
ASME A112.18.1-2005/CSAB 125.1-2005



FACEPLATE



**TOE ACTIVATED
DRAIN**

Note: Measurements are subject to change or cancellation. No responsibility is assumed for use of superseded or voided pages.