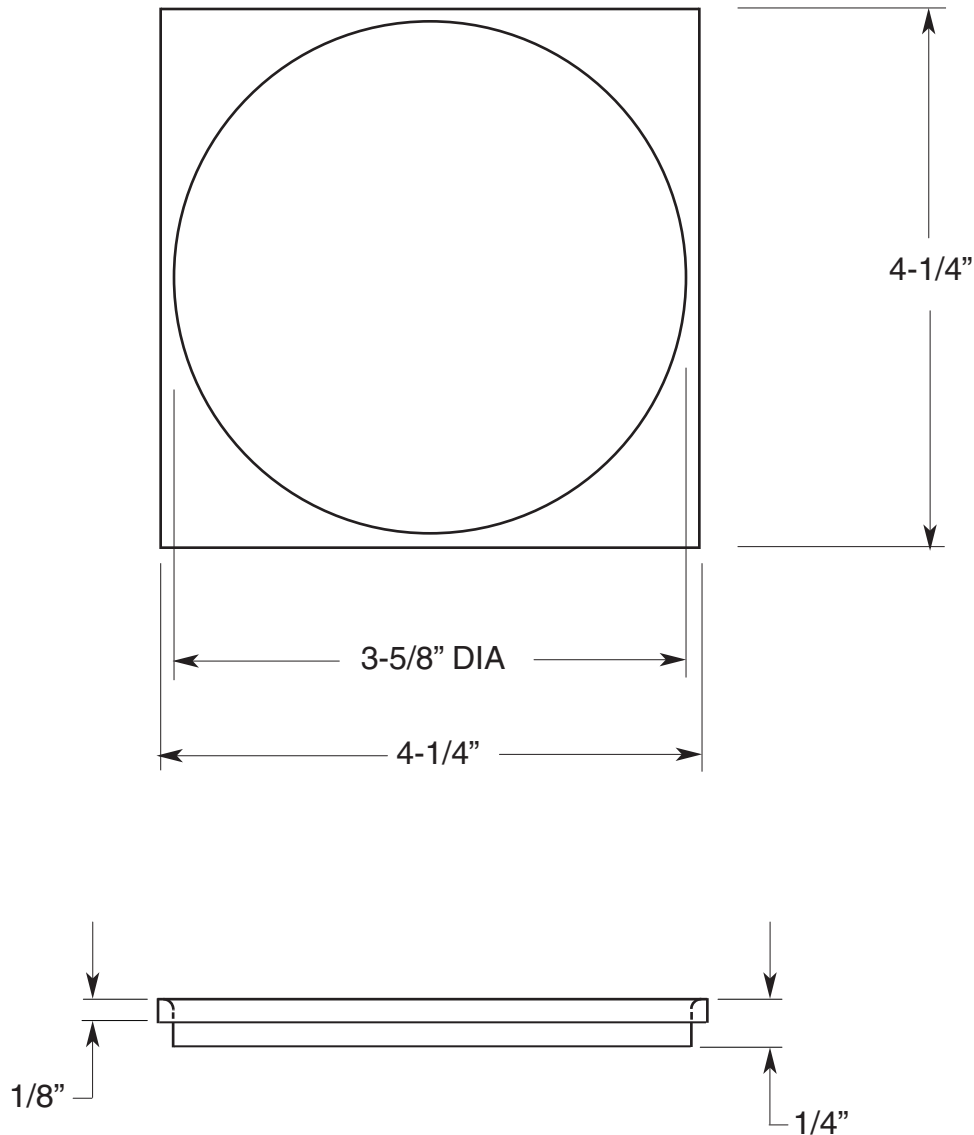


FEATURES:

- Brass construction.
- Can be used with APS.11.263 and APS.11.279
- Available in all finishes.
- Certified to meet and exceed the following codes and standards:
ASME A112.18.1-2005/CSAB 125.1-2005

Specifications
American Plumbing Specialties
(APS)

Tile Square Only
4-1/2" x 3-5/8" Opening
APS.11.264



Note: Measurements are subject to change or cancellation. No responsibility is assumed for use of superseded or voided pages.