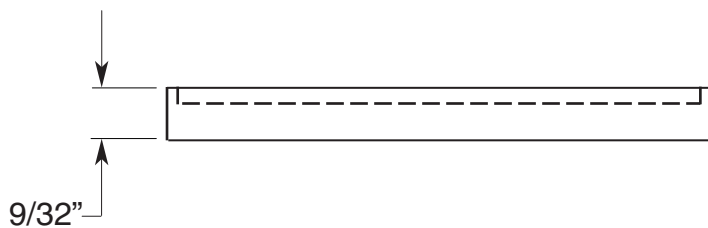
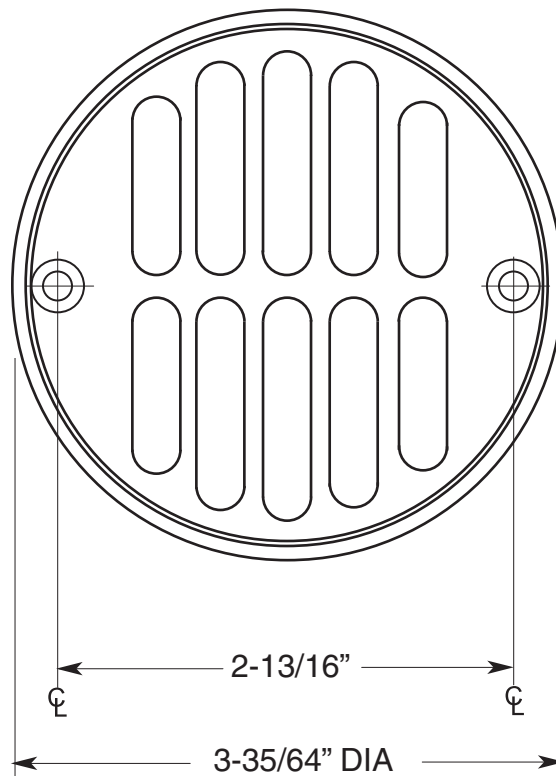


FEATURES:

- Brass construction.
- Mounting screws are supplied
- Available in all finishes.
- Certified to meet and exceed the following codes and standards:  
ASME A112.18.1-2005/CSAB 125.1-2005



Note: Measurements are subject to change or cancellation. No responsibility is assumed for use of superseded or voided pages.