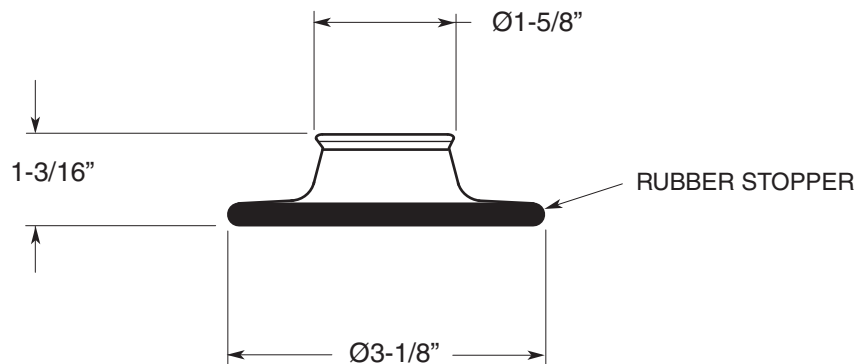


**FEATURES:**

- Solid Brass construction.
- Available in all Sigma finishes. Warranty varies according to finish selection.
- Meets: ASME A112.18.1-2005/CSAB125.1-2005

Garbage Disposal Stopper,  
Fits APS. 11.254 Flange

APS.11.255



Note: Measurements are subject to change or cancellation. No responsibility is assumed for use of superseded or voided pages.