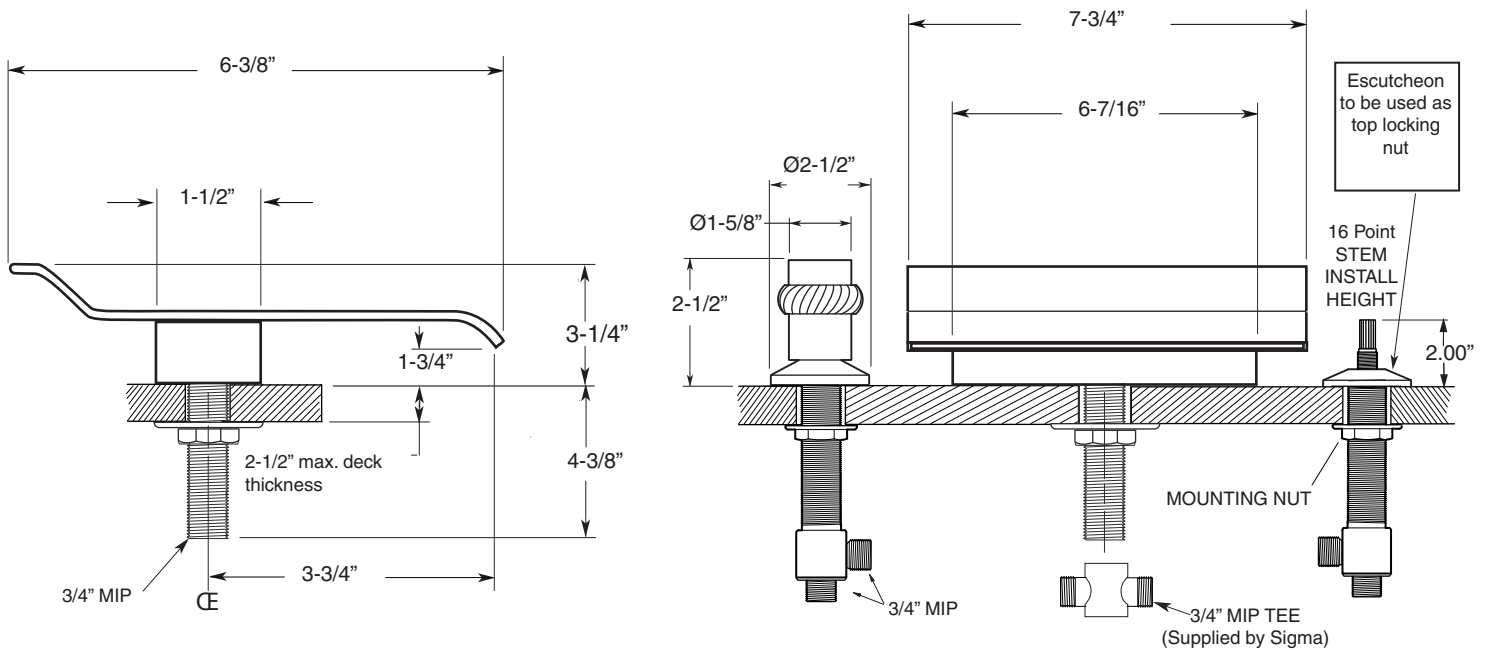


FEATURES:

- All brass construction.
- Cylinder and cap style handles with setscrew attachment.
Decorative ring included - see catalog for available ring selection.
- 3/4" valve bodies with 1/4-turn ceramic disc cartridge.
- Available in all finishes. Warranty varies according to finish selection.
- Certified to meet or exceed the following codes and standards:
ASME A112.18.1/CSAB 125.1-2011

TechData
Specifications
Speciality
Spouts

Sheet Waterfall Tub Set
with Seville Handles
1.SW1277



NOTE: Spout and valves install through 1-1/4" diameter holes.
Plumber to provide 3/4" supply lines to valves

Note: Measurements are subject to change or cancellation. No responsibility is assumed for use of superseded or voided pages.