

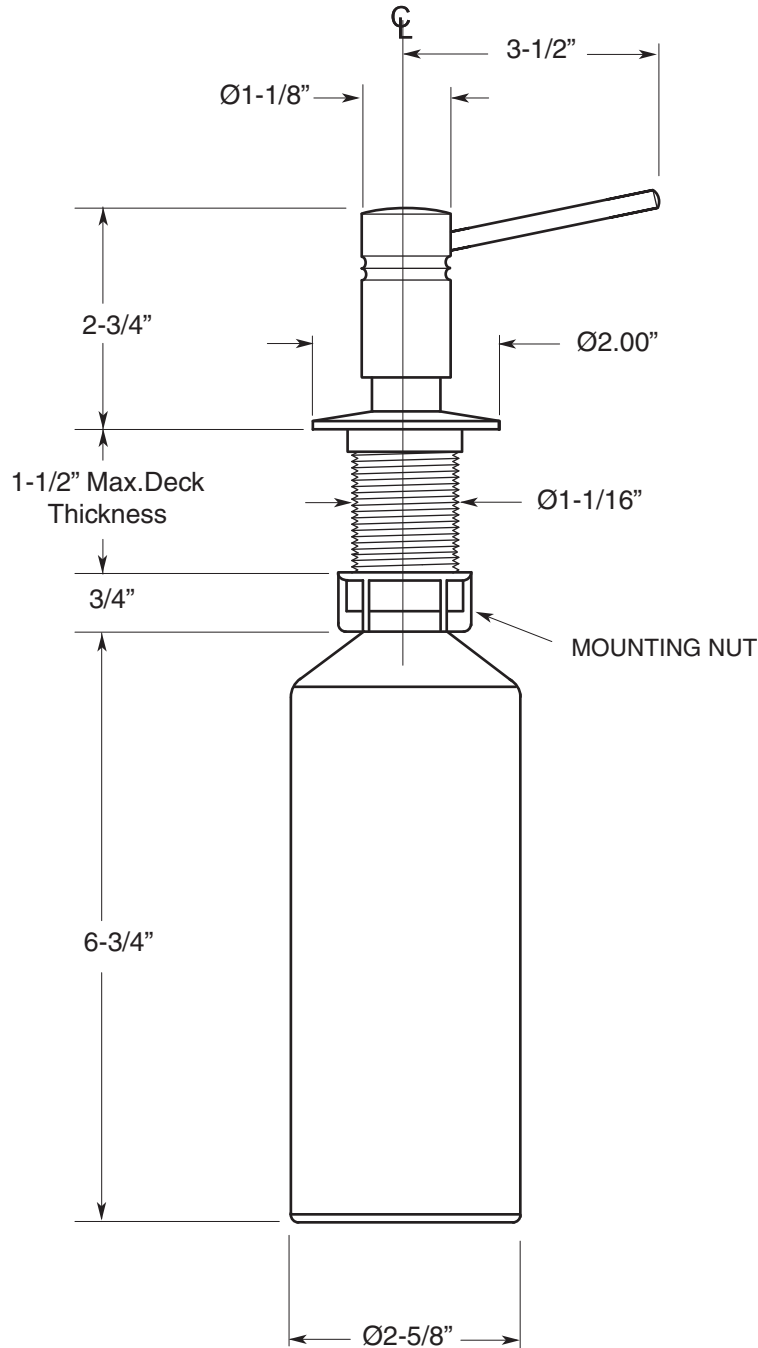
Kitchen & Bar

Soap/Lotion Dispenser
with Plunger, Flange & Bottle

18.37.007

FEATURES:

- Body is brass construction with plastic bottle & deck nipple.
- Bottle holds approx. 16 fluid ounces.
- Maximum deck thickness: 1-1/2"
- 1-1/4" mounting hole required
- Available in all Sigma finishes. Warranty varies according to finish selection.
- Meets: ASME A112.18.1-2005/CSAB125.1-2005



Note: Measurements are subject to change or cancellation. No responsibility is assumed for use of superseded or voided pages.