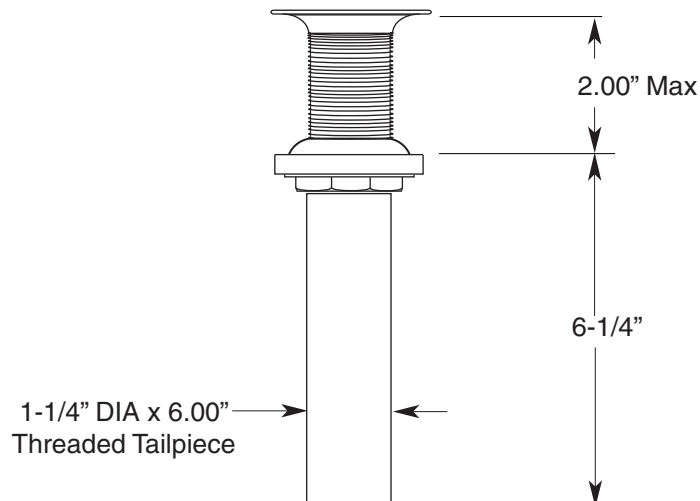
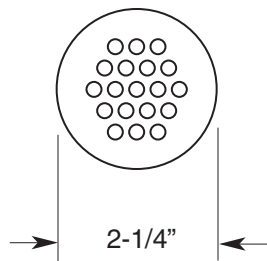


**Lavatory Grid Drain
without Overflow Holes**

18.11.120

FEATURES:

- All brass construction.
- Fits 1-1/2" hole. 1-1/4" x 8-1/4" with overflow holes.
- All Parts are finished.
- Available in all finishes.
- Certified to meet and exceed the following codes and standards:
ASME A112.18.1-2005/CSAB 125.1-2005



Note: Measurements are subject to change or cancellation. No responsibility is assumed for use of superseded or voided pages.