

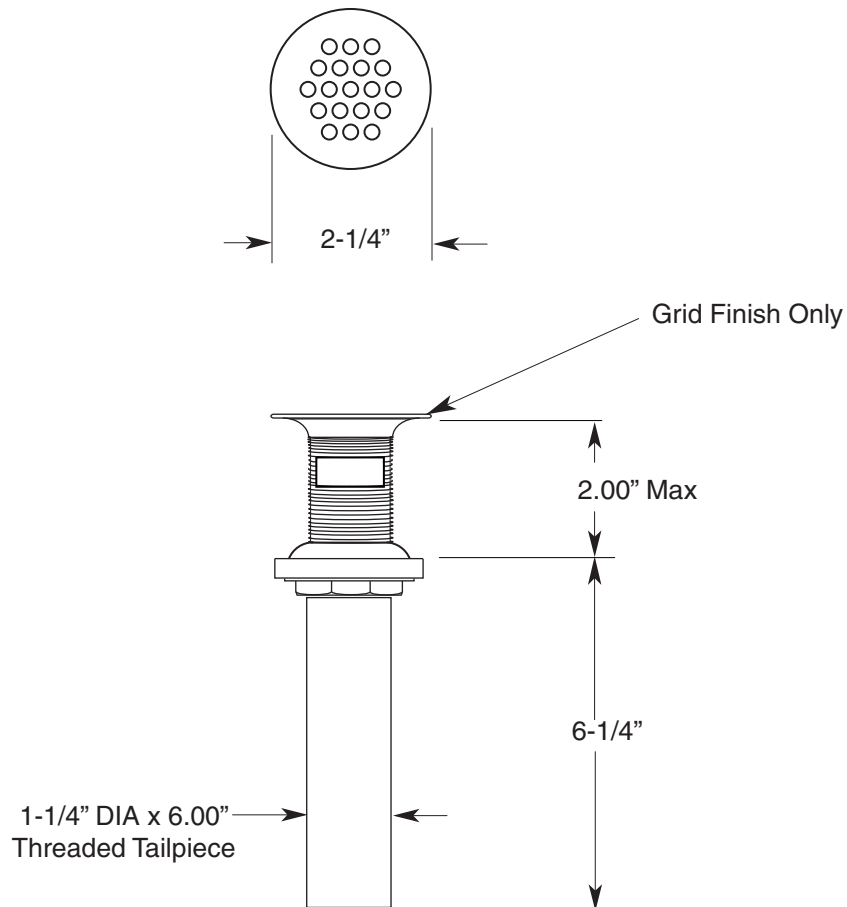
**Specifications**  
**American Plumbing Specialties**  
**(APS)**

**Lavatory Grid Drain**  
**with Overflow Holes**

**18.11.110**

**FEATURES:**

- All brass construction.
- Fits 1-1/2" hole. 1-1/4" x 8-1/4" with overflow holes.
- Grid finished only.
- Available in all finishes.
- Certified to meet and exceed the following codes and standards:  
ASME A112.18.1-2005/CSAB 125.1-2005



Note: Measurements are subject to change or cancellation. No responsibility is assumed for use of superseded or voided pages.