

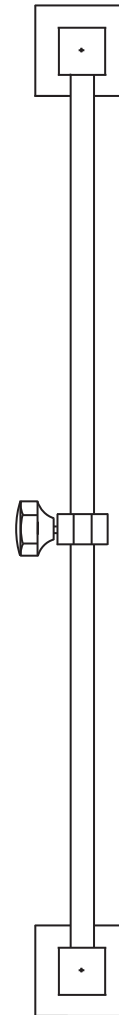
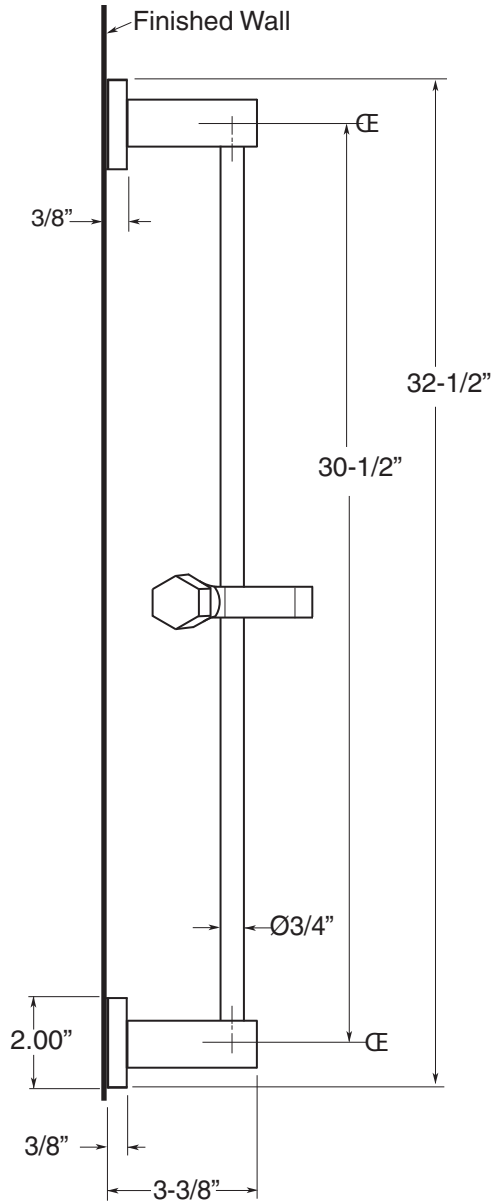
## FEATURES:

- All brass construction
- Available in all Sigma finishes
- Mounting hardware included
- Certified to meet or exceed the following codes and standards:  
ASME A112.18.1/CSAB 125.1-2011

## Specifications

# Slidebar

Square Contemporary Slidebar  
18.10.139



Note: Measurements are subject to change or cancellation. No responsibility is assumed for use of superseded or voided pages.