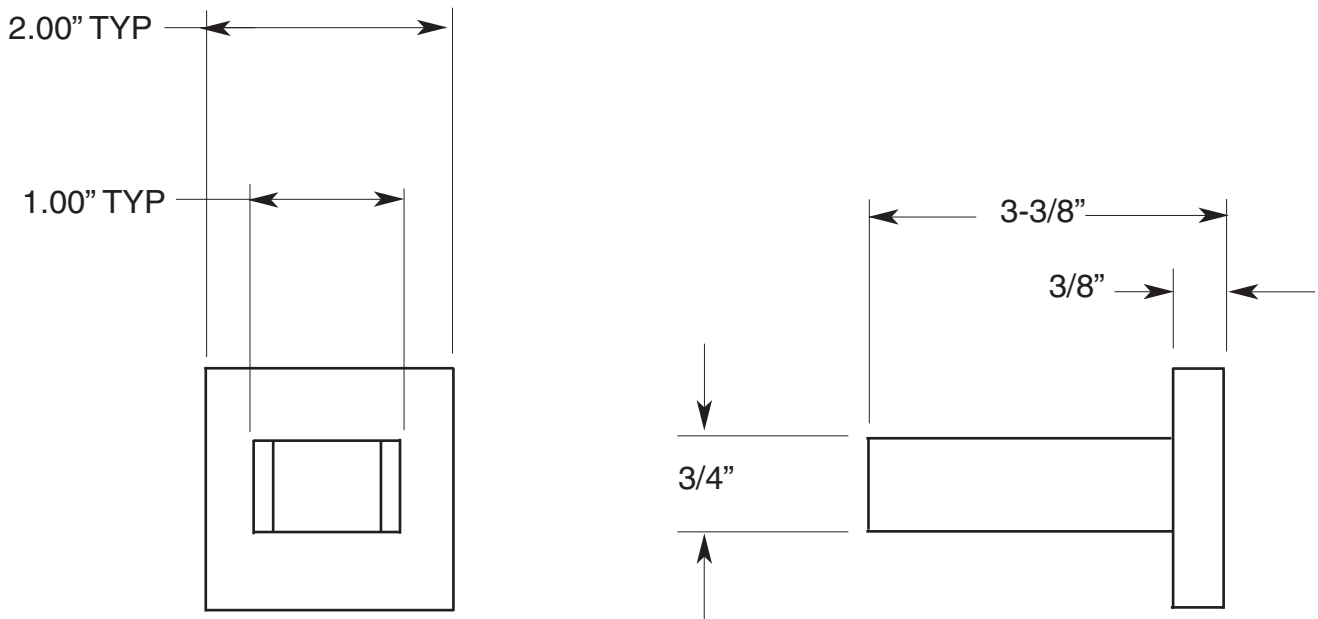
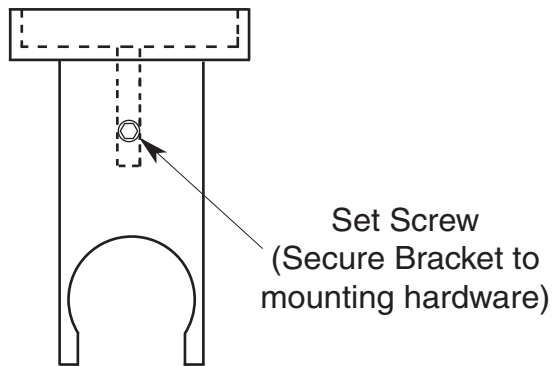


**FEATURES:**

- All brass construction
- Available in all Sigma finishes
- Comes with mounting hardware.
- Meets: ASME A112.18.1-2005 / CSAB 125.1-2005

**Specifications**  
**Handshower Accessory**

Wall Bracket  
with Square Wall Flange  
For Handheld Shower  
18.10.133



Note: Measurements are subject to change or cancellation. No responsibility is assumed for use of superseded or voided pages.