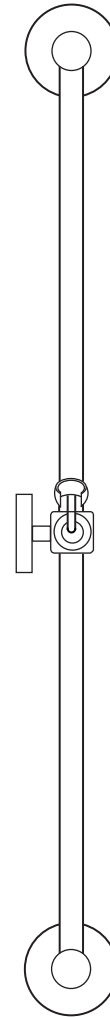
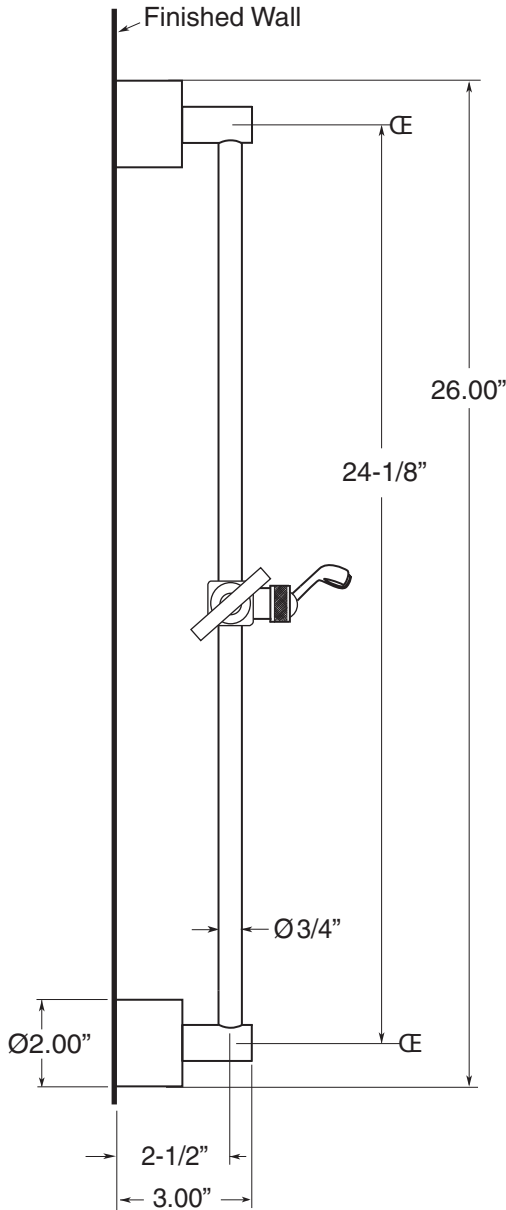


FEATURES:

- All brass construction
- Mounting hardware included
- Available in all Sigma finishes
- Certified to meet or exceed the following codes and standards:
 ASME A112.18.1/CSA B125.1-2011

Specifications
Slide Bar
 Contemporary
 18.10.022



Note: Measurements are subject to change or cancellation. No responsibility is assumed for use of superseded or voided pages.