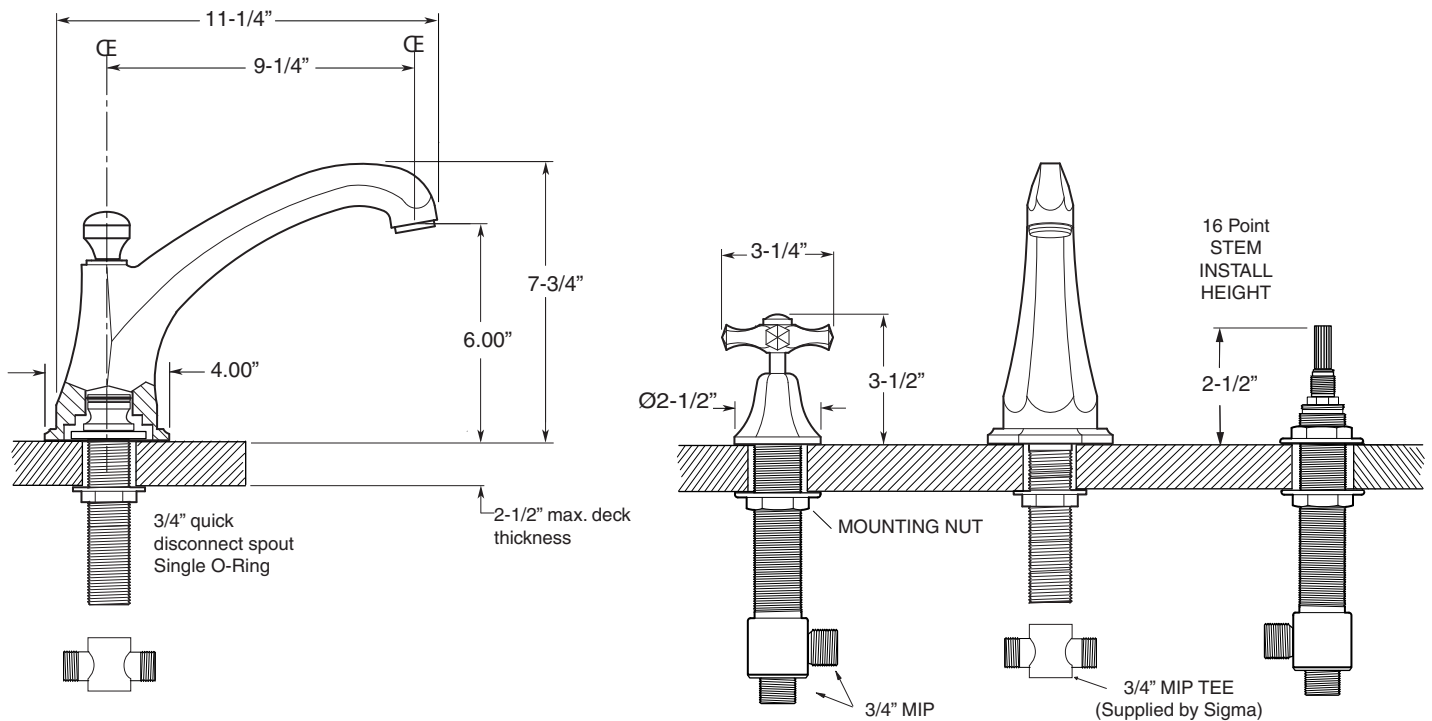


FEATURES:

- All brass construction.
- Cross handle style with center screw attachment.
- 3/4" valve bodies with 1/4-turn ceramic disc cartridge.
- Available in all finishes. Warranty varies according to finish.
- Certified to meet or exceed the following codes and standards:
ASME A112.18.1/CSAB 125.1-2011

Mallorca
Roman Tub Set
1.727577
(1.727577T - Trim only)



NOTE: Spout and valves install through 1-1/4" diameter holes.
Plumber to provide 3/4" supply lines to valves

Series 720

Mallorca
Roman Tub Set

Index Button With Porcelain Insert

- Part # 18.01.144 **HOT**
- Part # 18.01.146 **COLD**
- Part # 18.01.147 **PLAIN**
- Part # 18.01.143 **ALL METAL**
(FINISH REQUIRED)

