

Specifications
Series 510

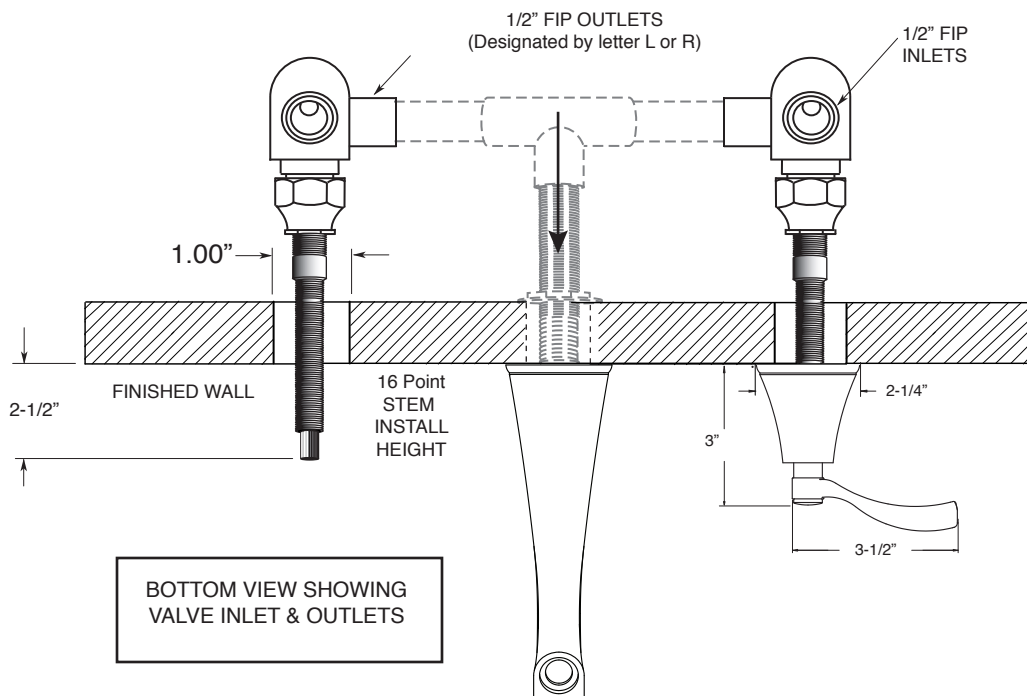
Wall/Vessel Lavatory Set

Maya
1.518007

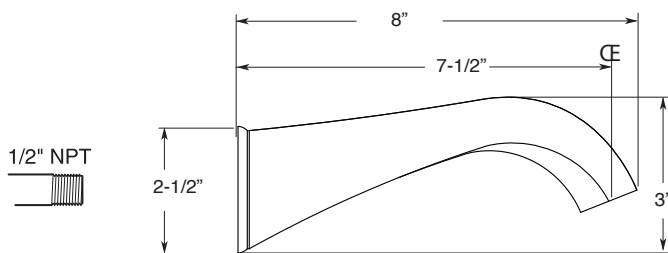
(1.518007T - Trim Only)

FEATURES:

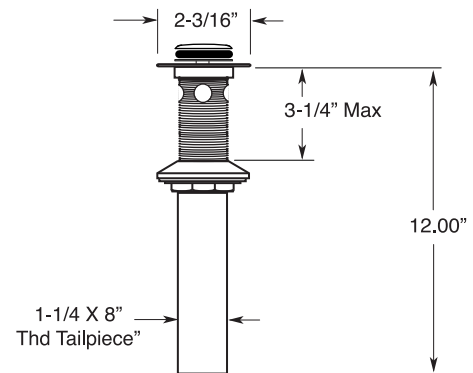
- All brass construction
- Independent corner valves
- Includes Soft Touch drain assembly with overflow: P/N 18.11.052
- 1/4-turn ceramic disc valve cartridge.
- Available in all finishes. Warranty varies according to finish selection.
- Certified to meet or exceed the following codes and standards:
ASME A112.18.1/CSAB 125.1-2012



BOTTOM VIEW SHOWING VALVE INLET & OUTLETS



WALL SPOUT
P/N 18.07.128



SOFT TOUCH
DRAIN ASSEMBLY
P/N 18.11.052

Note: Measurements are subject to change or cancellation. No responsibility is assumed for use of superseded or voided pages.