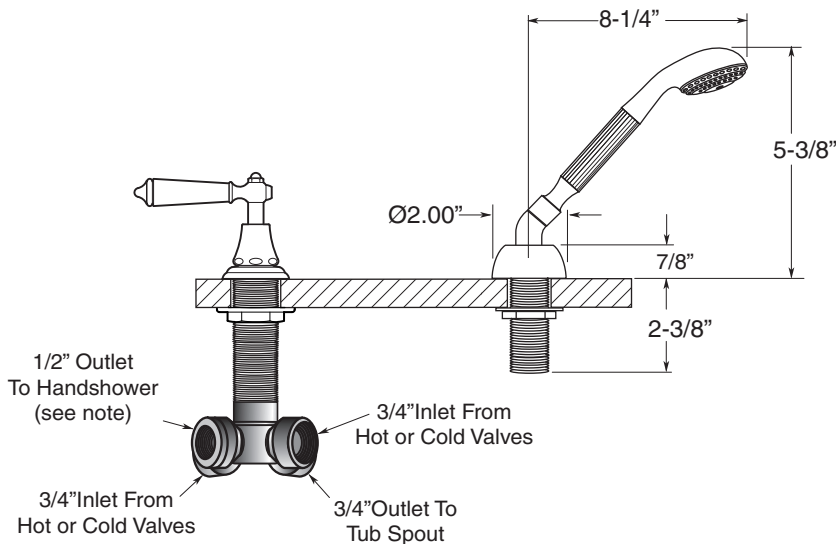
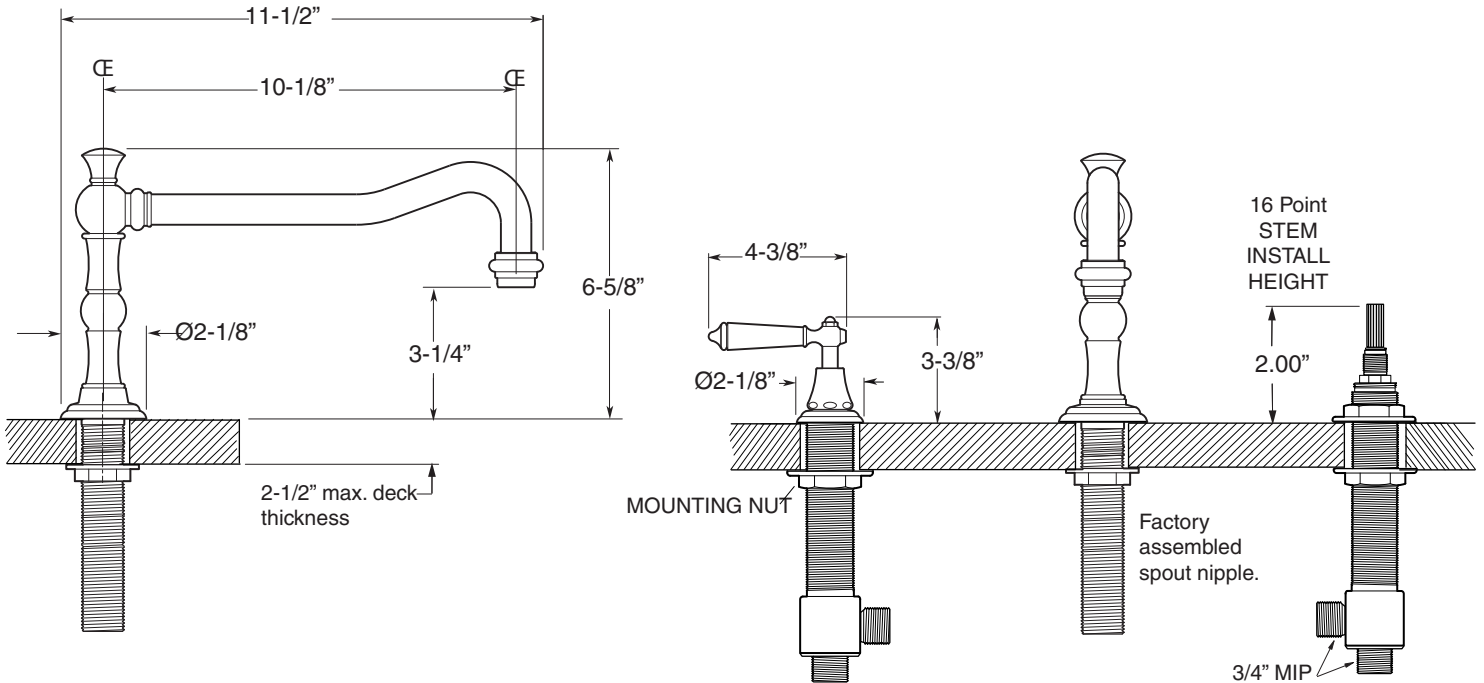


FEATURES:

- All brass construction.
- Lever style handles with decorative screw attachment.
- 3/4" valve bodies with 1/4-turn ceramic disc cartridge.
- Available in all finishes. Warranty varies according to finish selection.
- Certified to meet or exceed the following codes and standards:
ASME A112.18.1/CSAB 125.1-2011

Monte Carlo
Roman Tub Set with Deckmount
Handshower and Diverter
1.355993
(1.355993T - Trim only)



Spout and valves install through 1-1/4" diameter holes.
Plumber to provide 3/4" supply lines to valves

NOTE: 1/2" outlet for in-line vacuum breaker (18.15.055), and 60" chrome spiral hose (18.10.016) - INCLUDED

Note: Measurements are subject to change or cancellation. No responsibility is assumed for use of superseded or voided pages.

Parts List Series 350

Monte Carlo
Roman Tub Set with Deckmount
Diverter and Handshower

