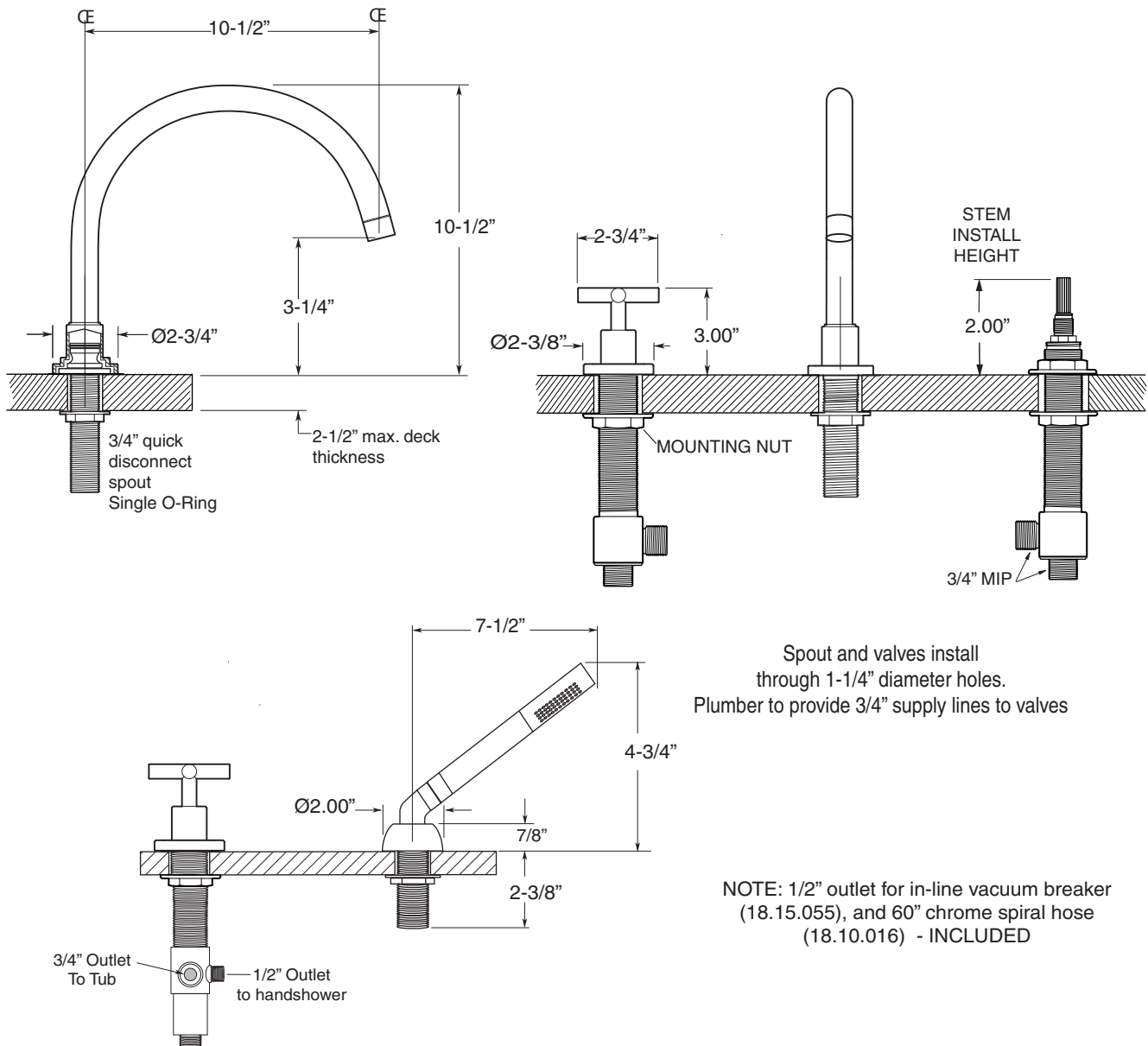


FEATURES:

- All brass construction.
- Cross handle style with inside screw attachment.
- 3/4" valve bodies with 20 pt. 1/4-turn ceramic disc cartridge.
- Available in all finishes. Warranty varies according to finish.
- Certified to meet or exceed the following codes and standards:
ASME A112.18.1/CSA B125.1-2011

Specifications
Series 3400

Nova II
Roman Tub Set with Deckmount
Handshower and Diverter
1.344893
(1.344893T - Trim only)



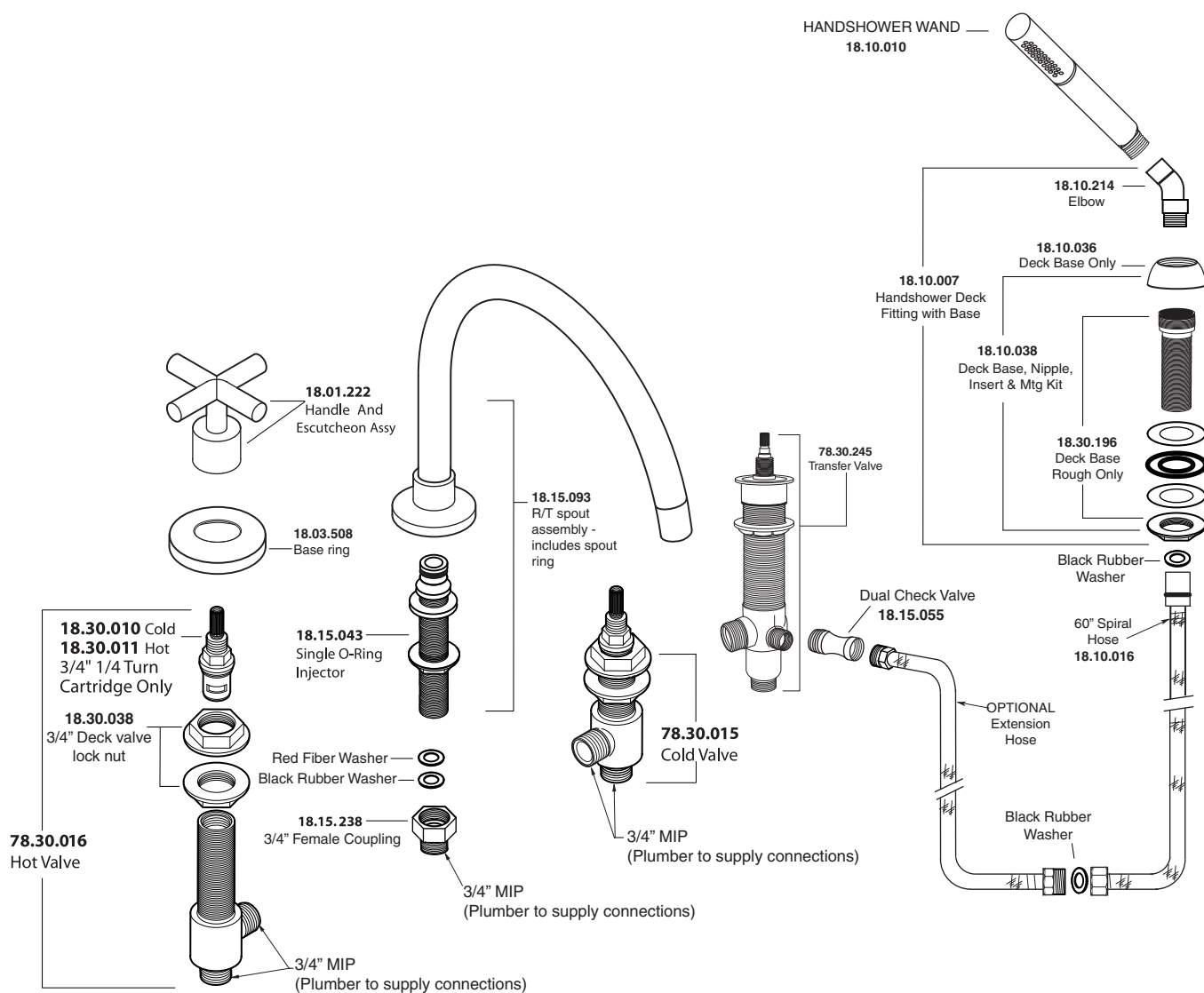
Spout and valves install through 1-1/4" diameter holes.
Plumber to provide 3/4" supply lines to valves

NOTE: 1/2" outlet for in-line vacuum breaker (18.15.055), and 60" chrome spiral hose (18.10.016) - INCLUDED

Note: Measurements are subject to change or cancellation. No responsibility is assumed for use of superseded or voided pages.

Series 3400

Nova II Roman Tub Set with Deckmount Diverter and Handshower



American Faucet & Coatings Corporation.

Tel: 760-598-5895, Toll Free Fax 800-621-8383, customerservice@sigmafaucet.com