

# TechData

## Specifications

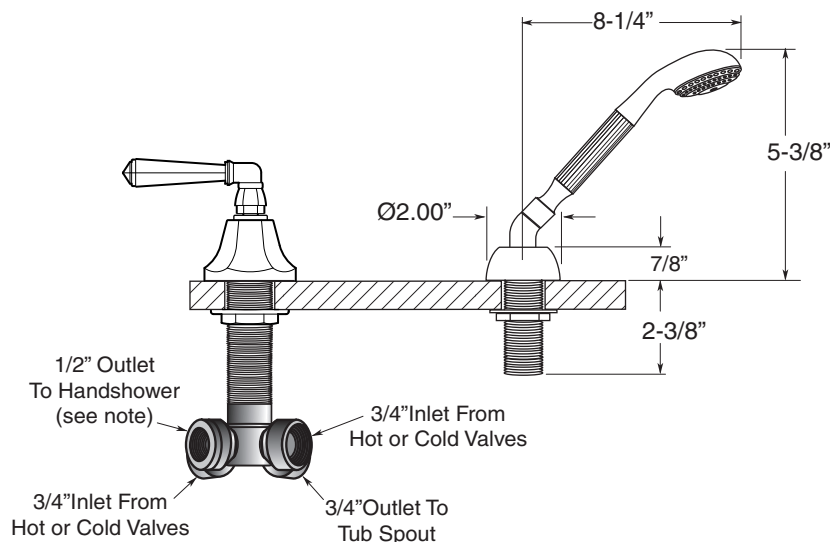
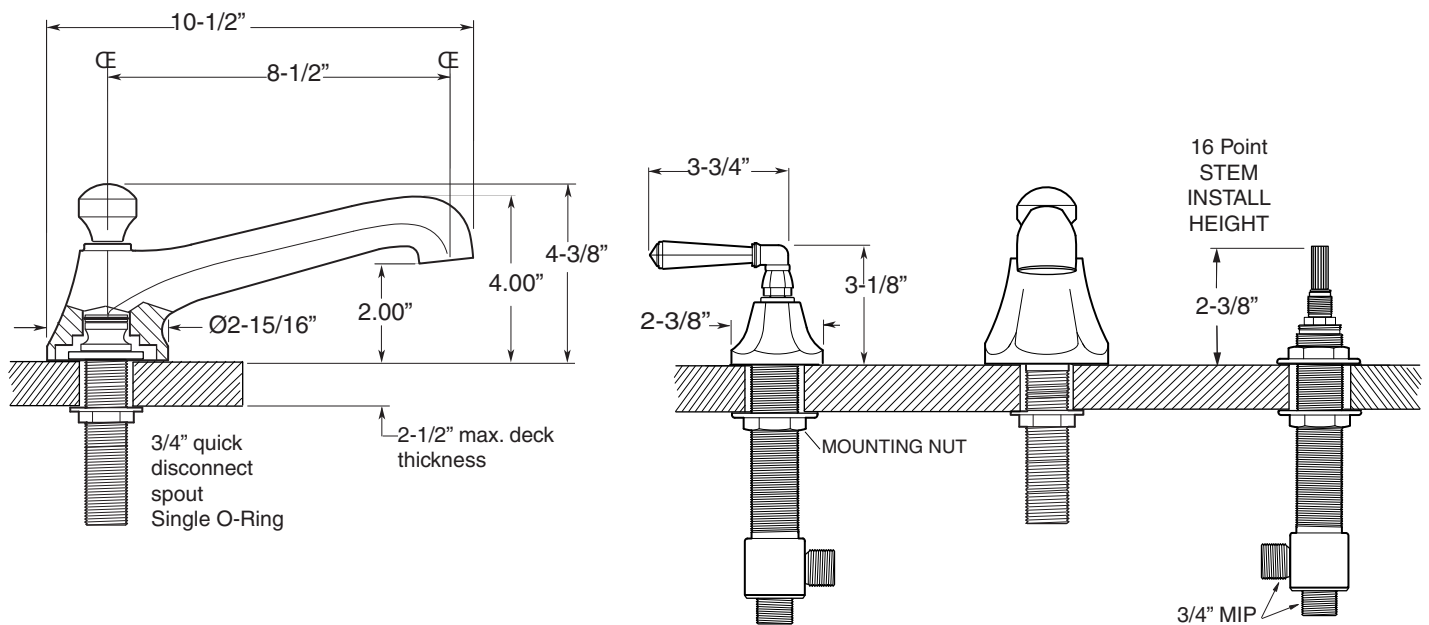
# Series 300

Windham

Roman Tub Set with Deckmount  
Handshower and Diverter  
1.301093  
(1.301093T - Trim only)

**FEATURES:**

- All brass construction.
- Lever style handles with setscrew attachment.
- 3/4" valve bodies with 1/4-turn ceramic disc cartridge.
- Available in all finishes. Warranty varies according to finish selection.
- Certified to meet or exceed the following codes and standards:  
ASME A112.18.1/CSAB 125.1-2011



Spout and valves install through 1-1/4" diameter holes.  
Plumber to provide 3/4" supply lines to valves

NOTE: 1/2" outlet for in-line vacuum breaker (18.15.055), and 60" chrome spiral hose (18.10.016) - INCLUDED

Note: Measurements are subject to change or cancellation. No responsibility is assumed for use of superseded or voided pages.

# Parts List Series 300

## Windham Roman Tub Set with Deckmount Diverter and Handshower

