

Series 2700

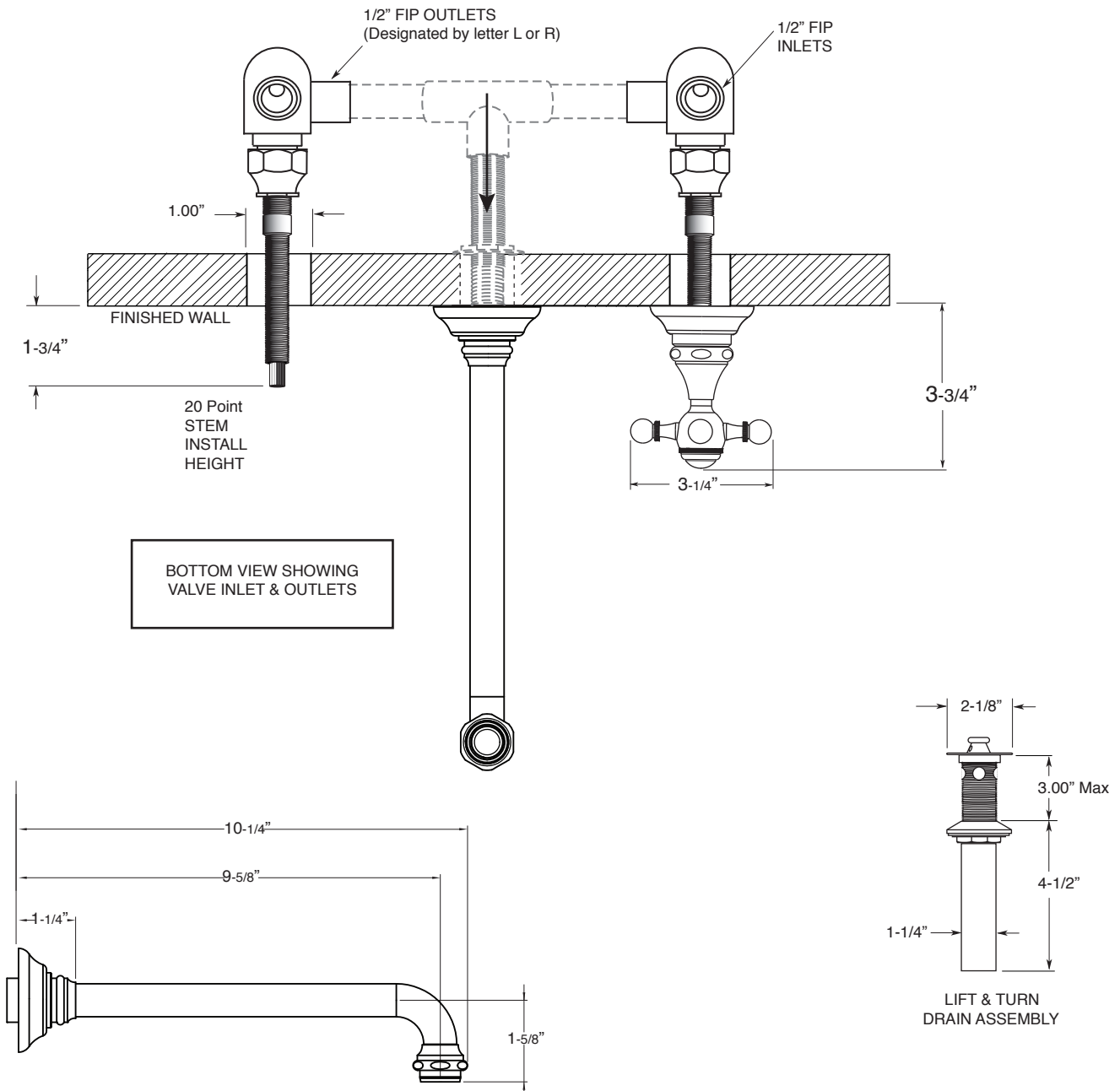
Wall/Vessel Lav Set

Tremont X Handle
1.276207

(1.276207T - Trim Only)

FEATURES:

- All brass construction,
- Independent corner valves
- Includes lift & turn style drain assembly P/N 18.11.042
- 1/4 turn ceramic disc valve cartridge.
- Available in all finishes. Warranty varies according to finish selection.
- Certified to meet or exceed the following codes and standards:
ASME A112.18.1/CSAB 125.1-2012



Note: Measurements are subject to change or cancellation. No responsibility is assumed for use of superseded or voided pages.