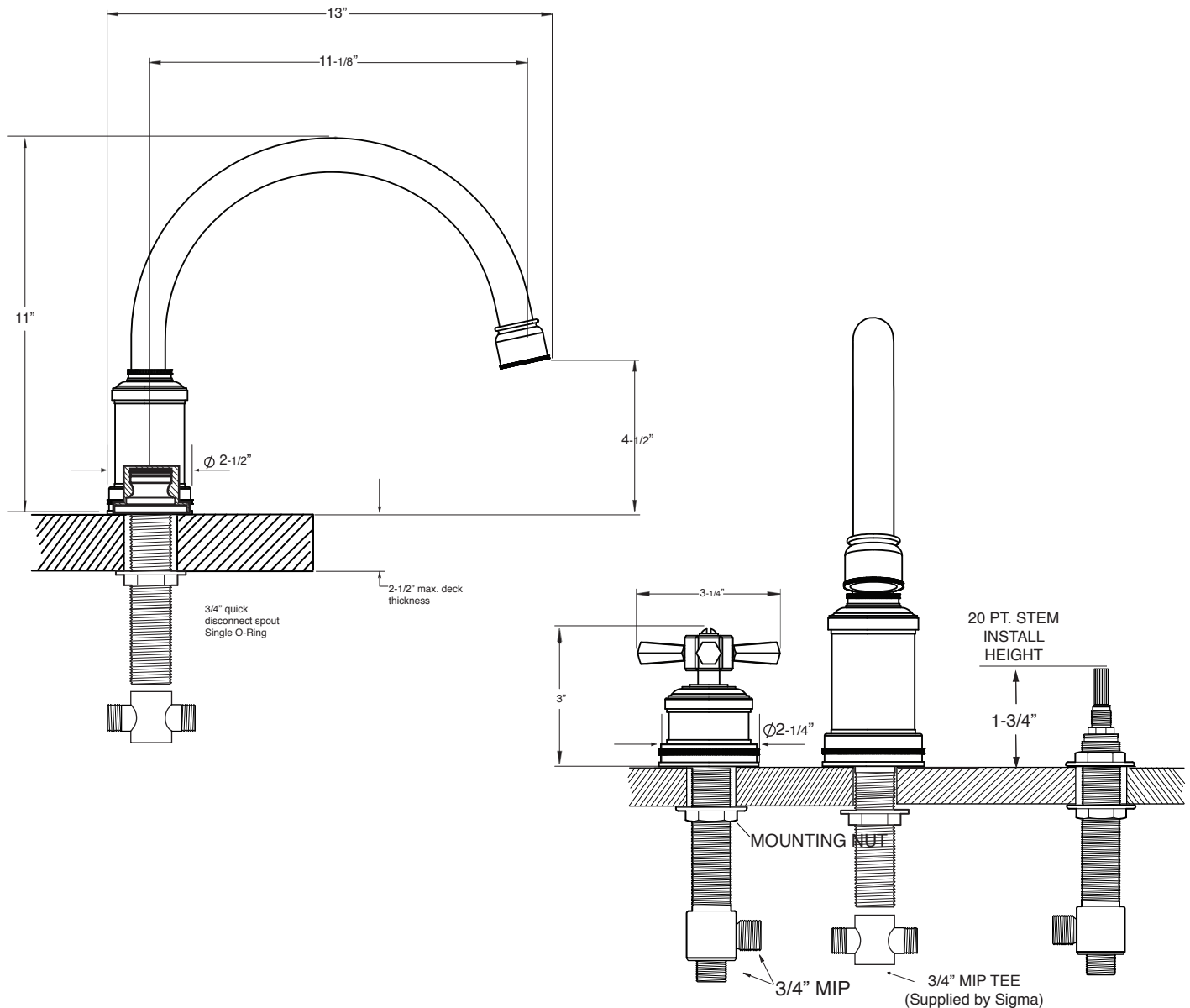


**FEATURES:**

- All brass construction.
- Cross style handles with top screw attachment.
- 3/4" valve bodies with 1/4-turn ceramic disc cartridge.
- Available in all finishes. Warranty varies according to finish.
- Certified to meet or exceed the following codes and standards:  
ASME A112.18.1/CSAB 125.1-2012

Regent X  
Roman Tub Set  
1.255477  
(1.255377T - Trim only)



**NOTE:** Spout and valves install through 1-1/4" diameter holes.  
Plumber to provide 3/4" supply lines to valves