

Specifications
Series 2500

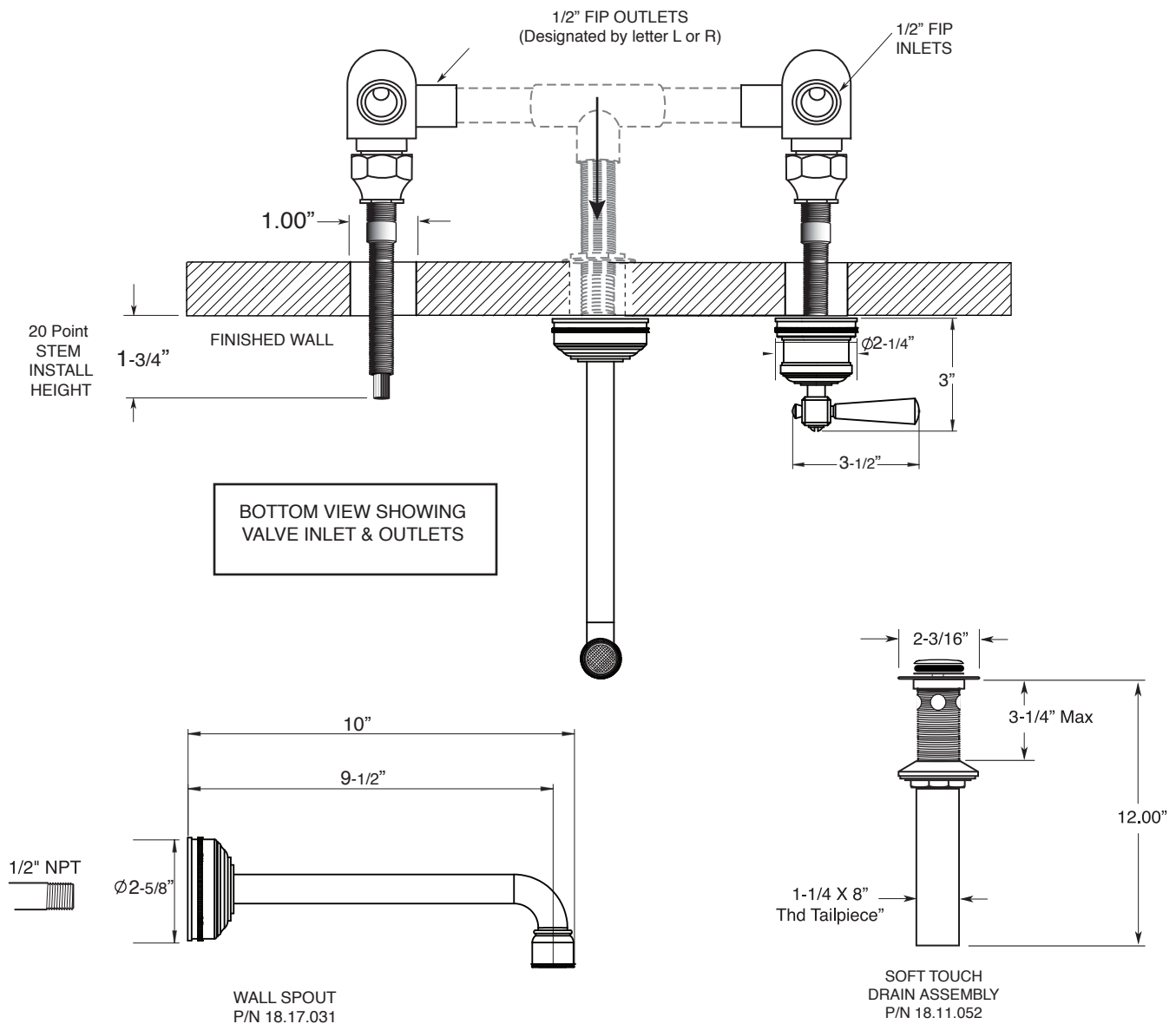
Wall/Vessel Lavatory Set

Regent Handle
1.255307

(1.255307T - Trim Only)

FEATURES:

- All brass construction
- Independent corner valves
- Includes Soft Touch drain assembly with overflow: P/N 18.11.052
- 1/4-turn ceramic disc valve cartridge.
- Available in all finishes. Warranty varies according to finish selection.
- Certified to meet or exceed the following codes and standards:
ASME A112.18.1/CSAB 125.1-2012



Note: Measurements are subject to change or cancellation. No responsibility is assumed for use of superseded or voided pages.