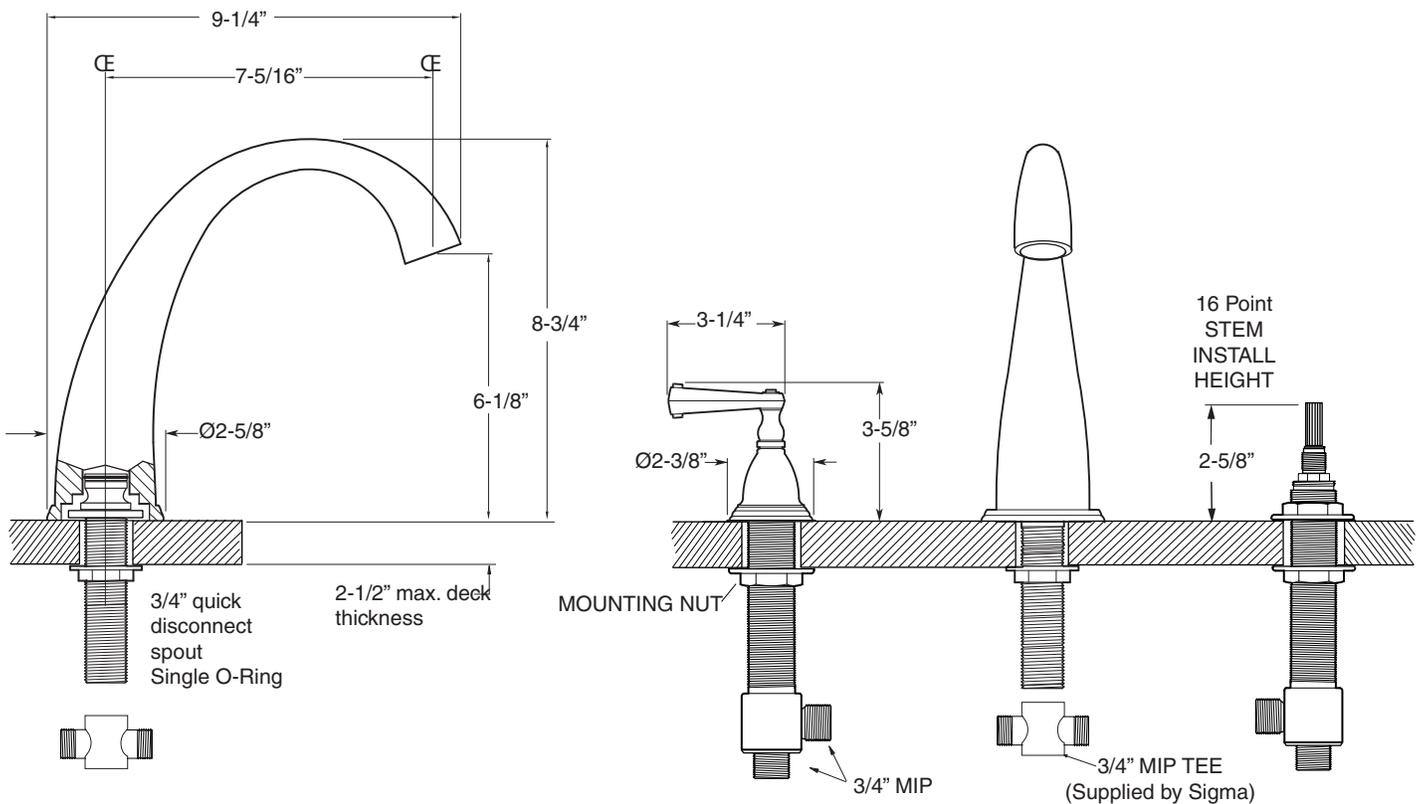


FEATURES:

- All brass construction
- Lever style handles with setscrew attachment.
- 3/4" valve bodies with 1/4-turn ceramic disc cartridge.
- Available in all finishes. Warranty varies according to finish selection.
- Certified to meet or exceed the following codes and standards:
ASME A112.18.1/CSAB 125.1-2011

Hampshire
Roman Tub Set
1.201377
(1.201377T - Trim Only)



NOTE: Spout and valves install through 1-1/4" diameter holes.
Plumber to provide 3/4" supply lines to valves

Parts List Series 200

Hampshire
Roman Tub Set

