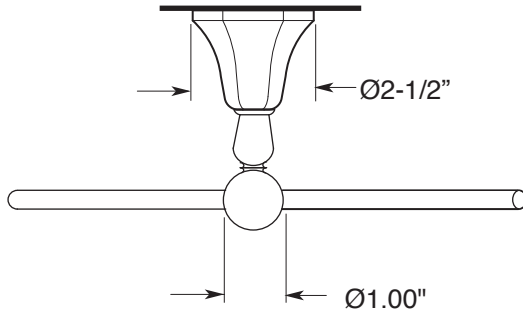


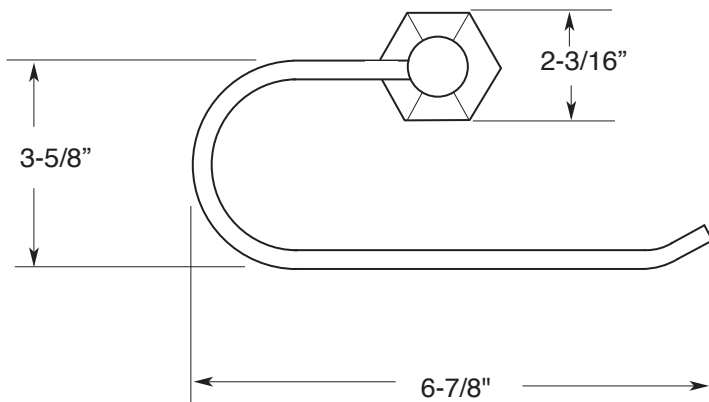
#### FEATURES:

- All brass construction.
- Available in all Sigma finishes. Warranty varies according to finish selection.
- Mounting brackets and screws are supplied.

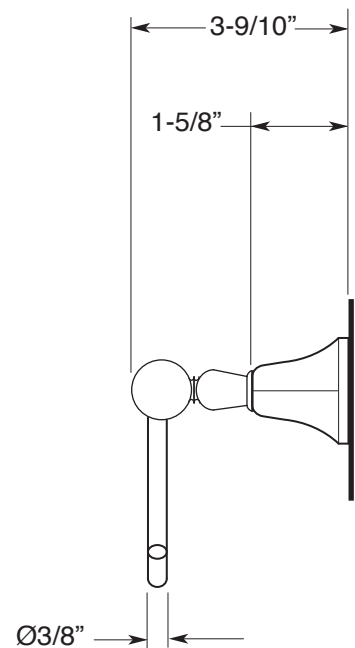
Series 10  
Single Post Paper Holder  
1.10SP00



### TOP VIEW



### FRONT VIEW



### SIDE VIEW

Note: Measurements are subject to change or cancellation. No responsibility is assumed for use of superseded or voided pages.