

1/2" In-Line Shut-Off

Valve & Trim

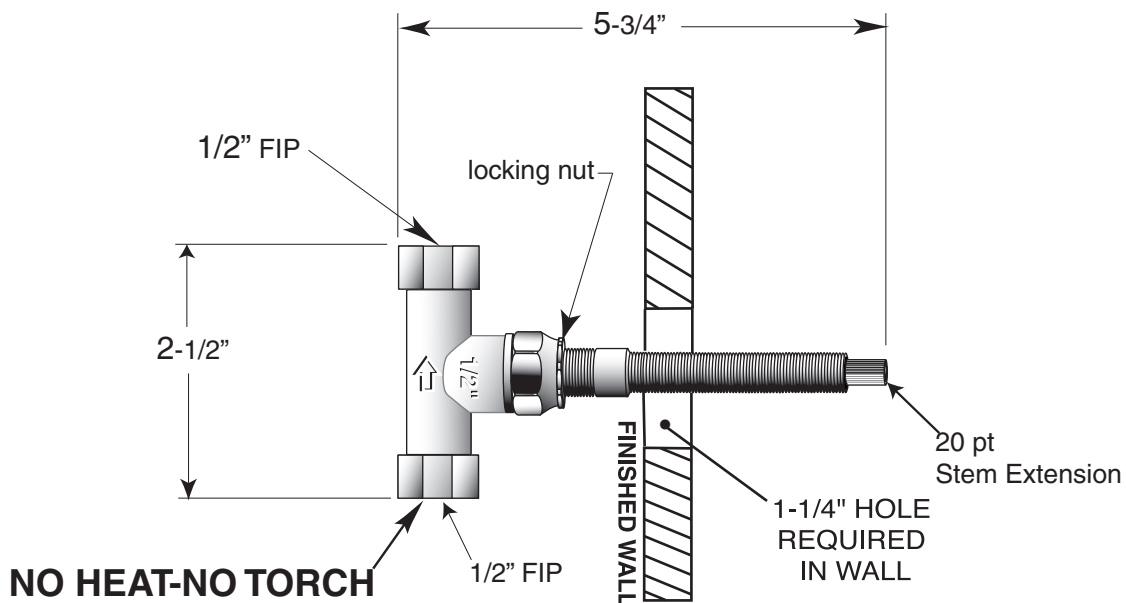
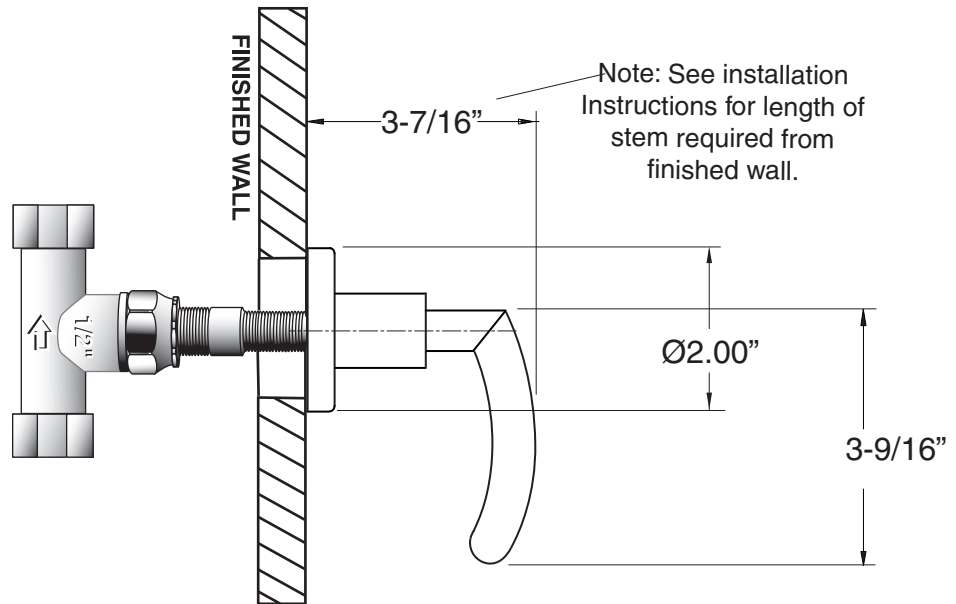
1.009287

Prana Handle

(1.009287T - Trim Only)

FEATURES:

- Certified to meet or exceed the following codes and standards:
ASME A112-18.1 / CSA B125-1-2011
- Valve P/N: 78.30.020
- Replacement cartridge P/N: 18.30.036



Note: Measurements are subject to change or cancellation. No responsibility is assumed for use of superseded or voided pages.