

SPECIFICATIONS

2 Valve Shower Set

8" Spread

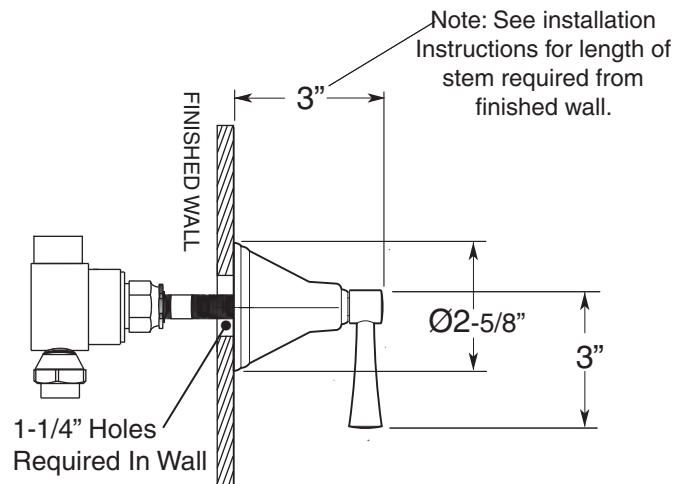
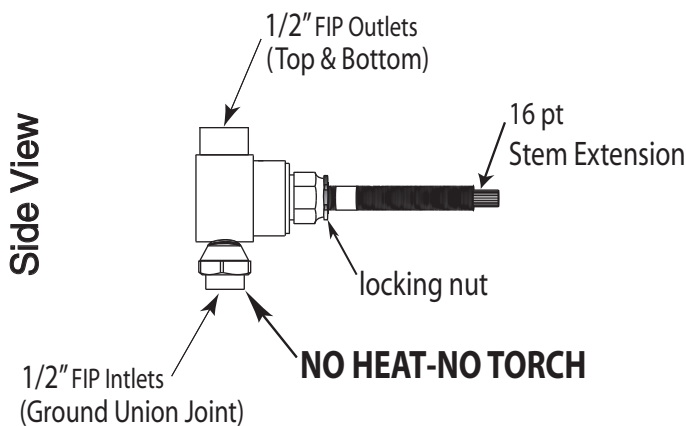
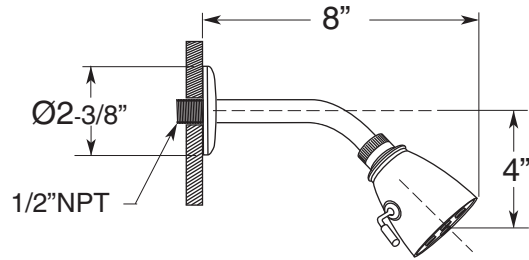
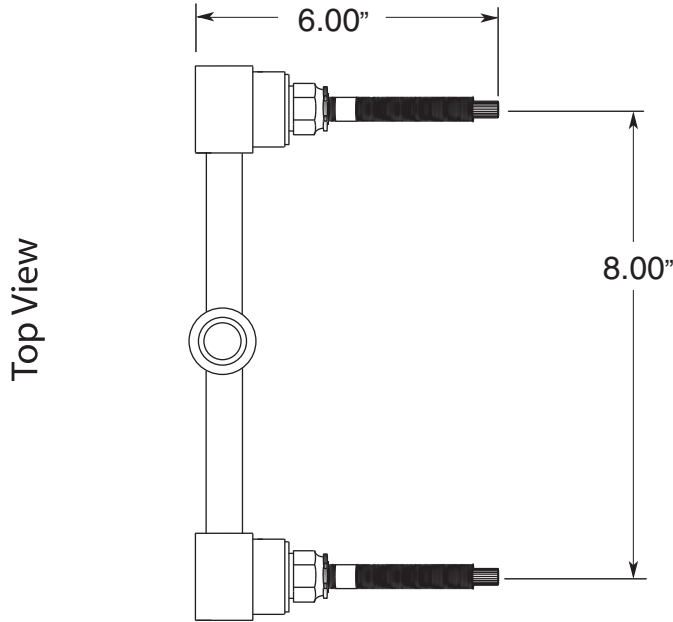
1.008542

Chicago Handle

(1.008542T Trim Only)

Features:

- Forged brass construction
- 10" Center to Center available on request
- Meets: ASME A112.18.1-2005/CSAB125.1-2005



Note: Measurements are subject to change or cancellation. No responsibility is assumed for use of superseded or voided pages.