

FEATURES:

- Forged brass construction.
- Thermostatic valve cartridge: 18.30.082
- Shut-off cartridge: (2) 18.30.036
- Screw driver spring check valve: (2) 18.30.181
- 14.5 GPM @ 45 PSI (9.5 top exit / 5.0 bottom exit)
- Meets: ASME A112.18.1/CSA B125.1-2011

1/2" Thermostatic

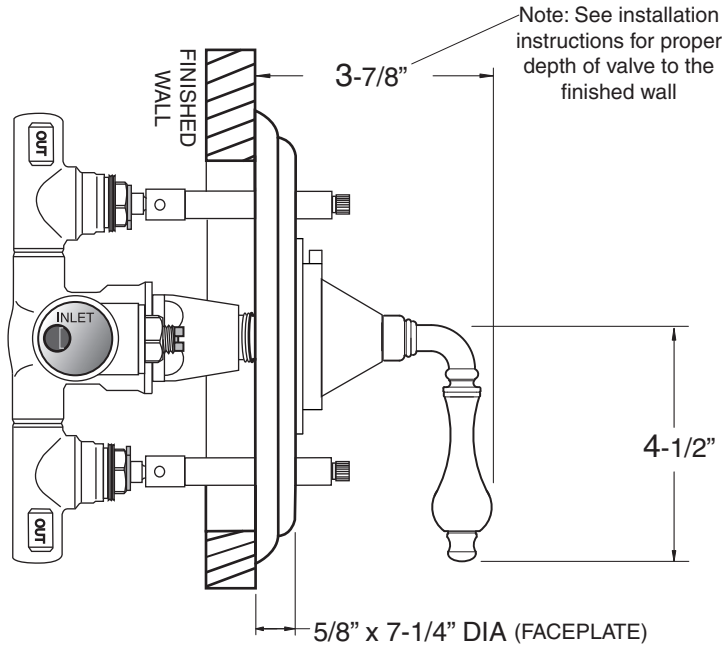
Two Volume Control
Valve & Trim

1.008196.V2

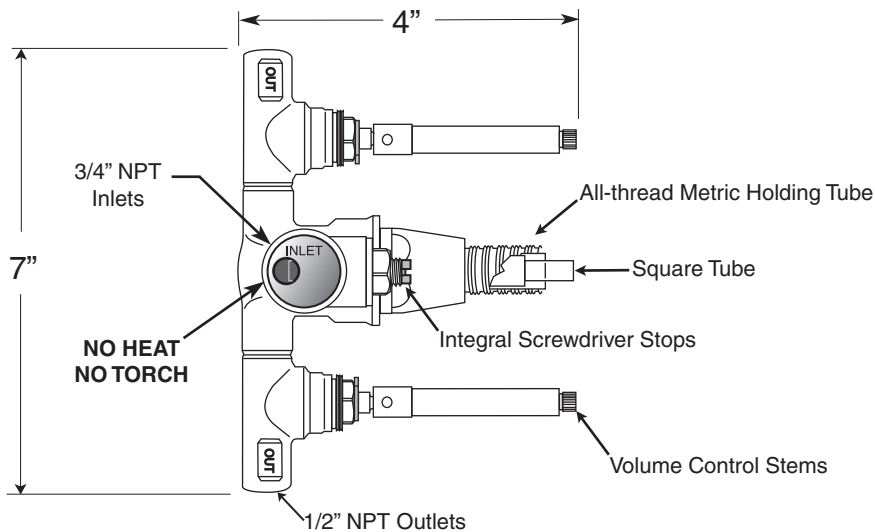
Houston Handle

(1.008196.V2T Trim Only)

SIDE VIEW - INSTALLED



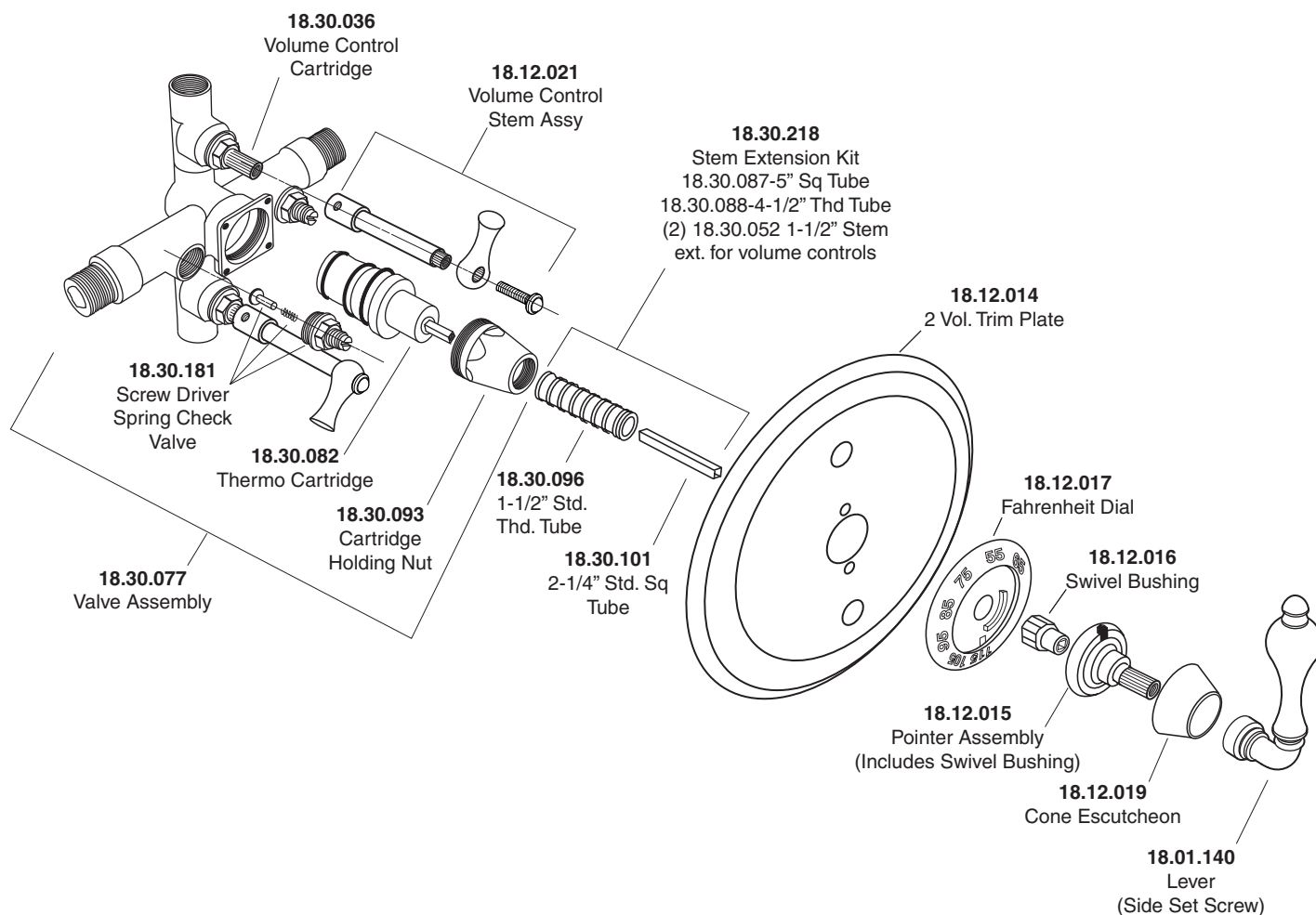
SIDE VIEW - VALVE ONLY



Note: Measurements are subject to change or cancellation. No responsibility is assumed for use of superseded or voided pages.

Parts List Houston

1/2" Thermostatic Two Volume Controls



American Faucet & Coatings Corporation.

Tel: 760-598-5895, Toll Free Fax 800-621-8383, customerservice@sigmafaucet.com