

**1/2" In-Line Shut-Off**

**FEATURES:**

- Certified to meet or exceed the following codes and standards:  
ASME A112-18.1 / CSA B125-1-2011
- Replacement cartridge P/N: 18.30.036

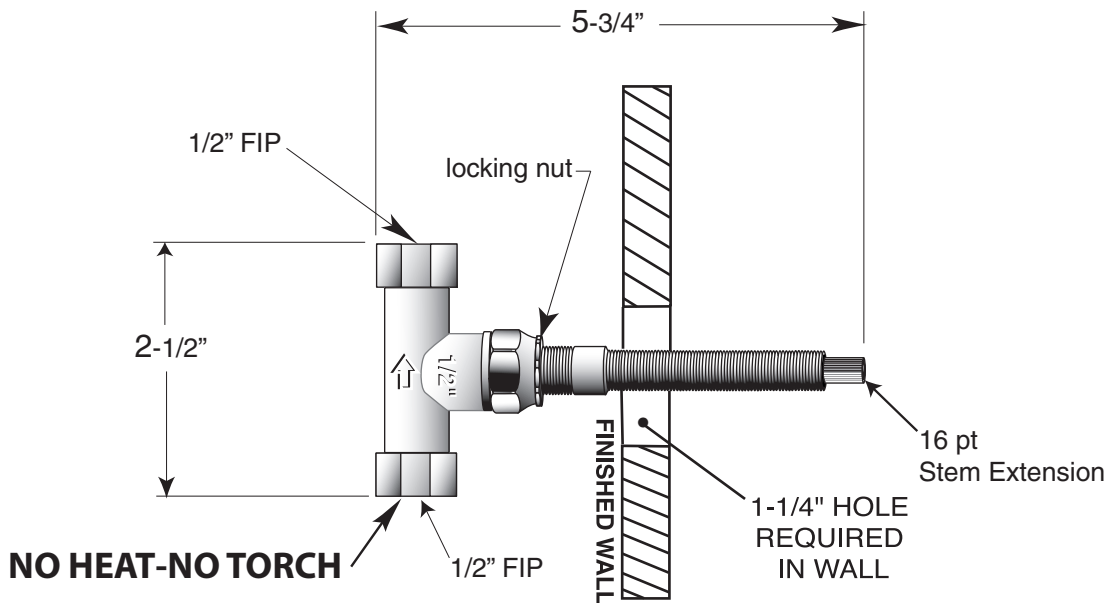
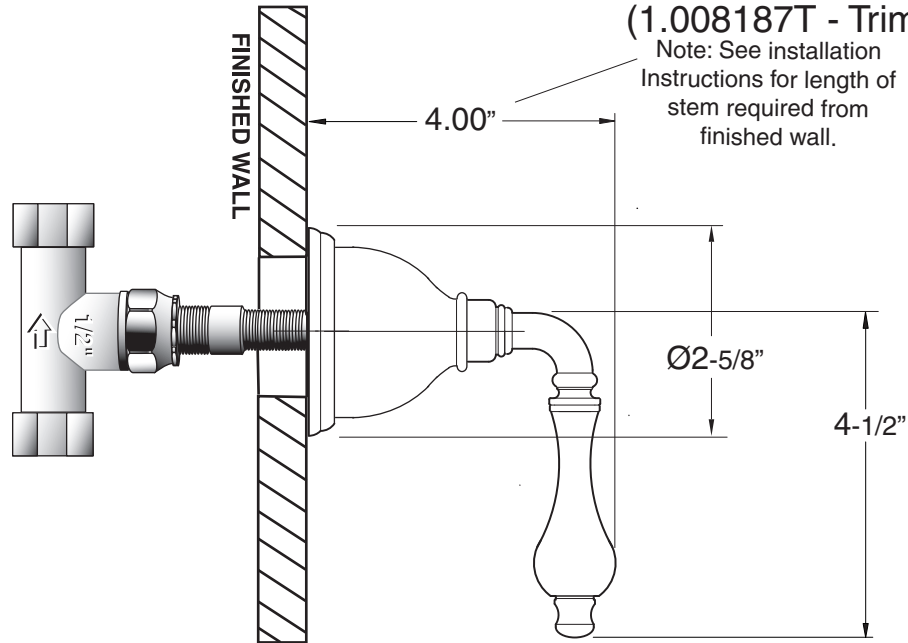
Valve & Trim

1.008187

Houston Handle

(1.008187T - Trim Only)

Note: See installation  
Instructions for length of  
stem required from  
finished wall.



**NO HEAT-NO TORCH**

Note: Measurements are subject to change or cancellation. No responsibility is assumed for use of superseded or voided pages.