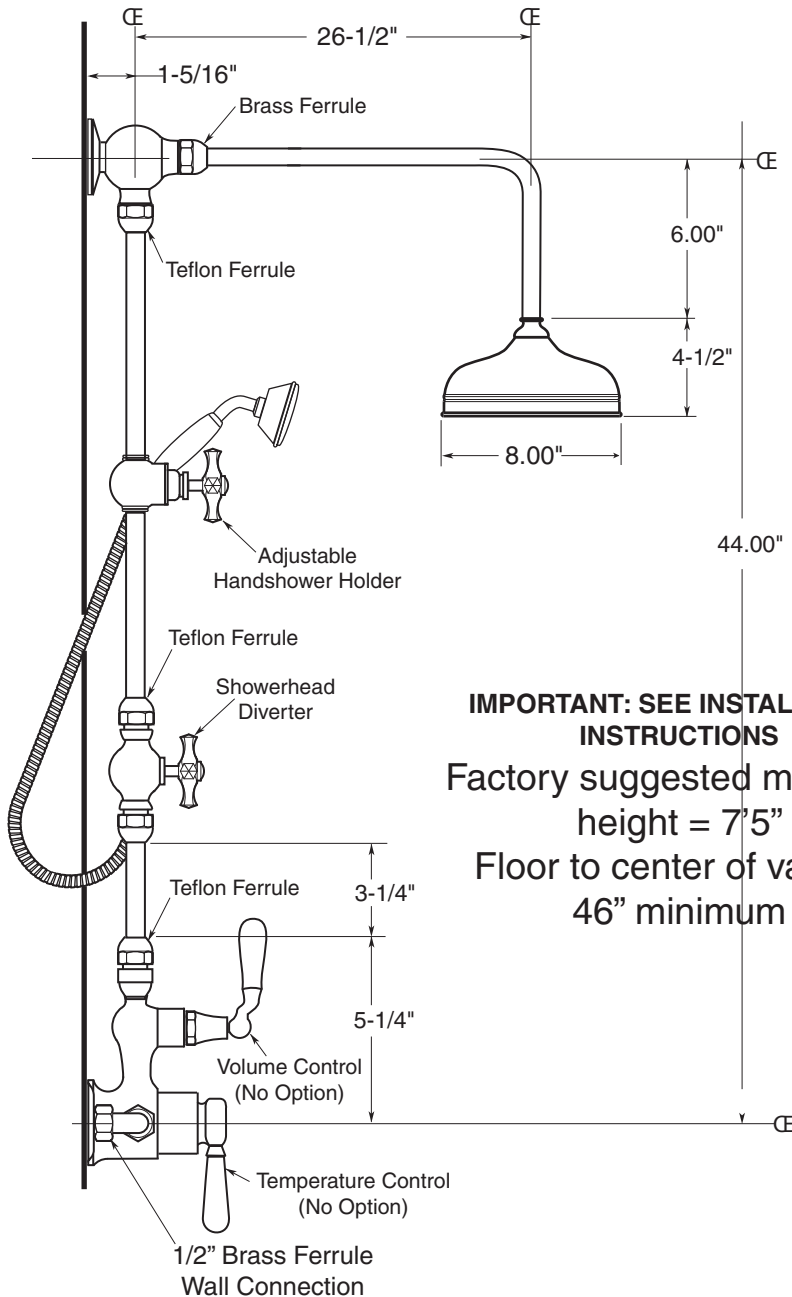


**FEATURES:**

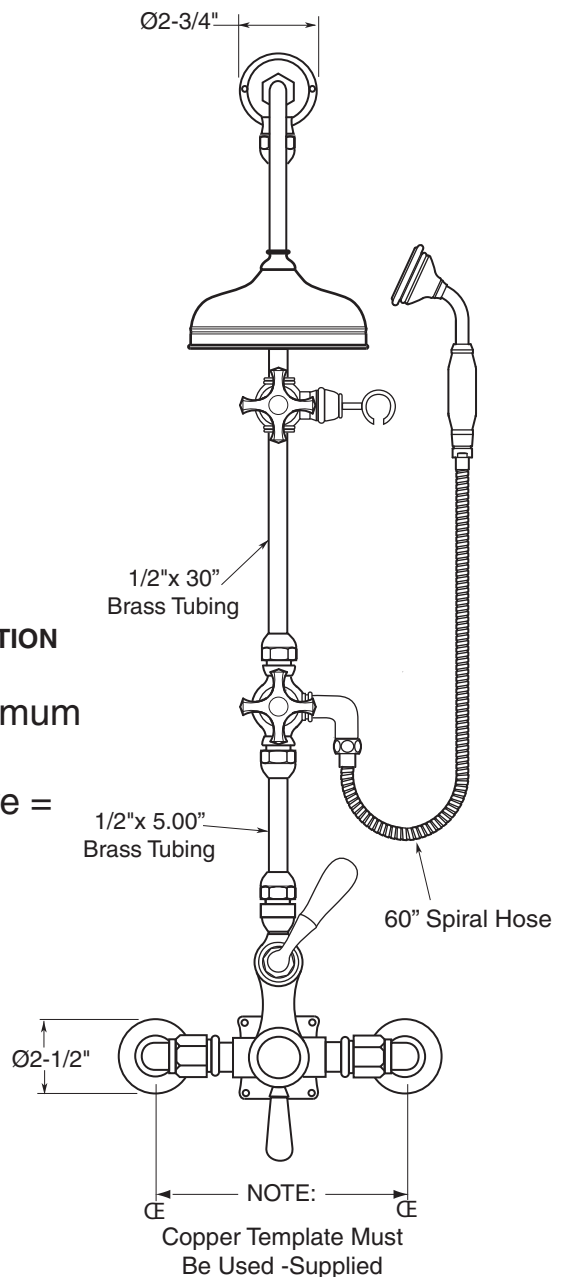
- All brass construction.
- Available in all finishes. Warranty varies according to finish selection.
- Thermostatic valve cartridge P/N: 18.30.300
- Volume control cartridge P/N: 18.30.195
- Certified to meet or exceed the following codes and standards:  
ASME A112.18.1/CSAB 125.1-2011
- \*\*\*\*\*
- Installation height from floor to center of valve to be determined by homeowner or installer.
- Do not rough-out without copper rough-in template.  
Guide will be sent ahead upon request.

**TechData**  
**SPECIFICATIONS**  
**Butler Mill**  
1/2" Exposed Thermostatic  
Shower Set with  
Diverter & Handshower  
Hex Cross Handle

1.0075910



**IMPORTANT: SEE INSTALLATION INSTRUCTIONS**  
Factory suggested minimum height = 7'5"  
Floor to center of valve = 46" minimum



Note: Measurements are subject to change or cancellation. No responsibility is assumed for use of superseded or voided pages.