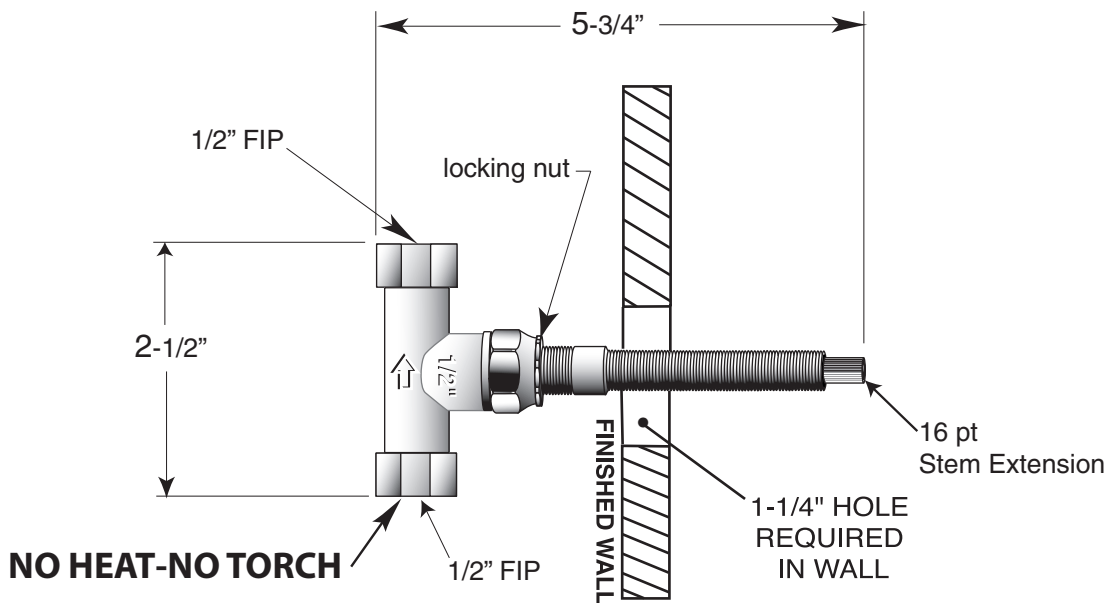
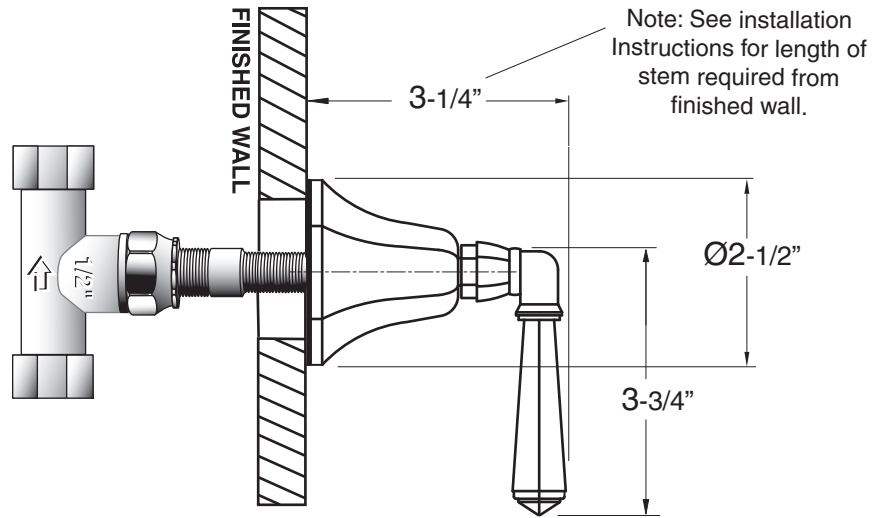


FEATURES:

- Certified to meet or exceed the following codes and standards:
ASME A112-18.1 / CSA B125-1-2011
- Replacement cartridge P/N: 18.30.036

1/2" In-Line Shut-Off

Valve & Trim
1.007487
Valencia Handle
(1.007487T - Trim Only)



Note: Measurements are subject to change or cancellation. No responsibility is assumed for use of superseded or voided pages.