

**1/2" In-Line Shut-Off**

Valve & Trim

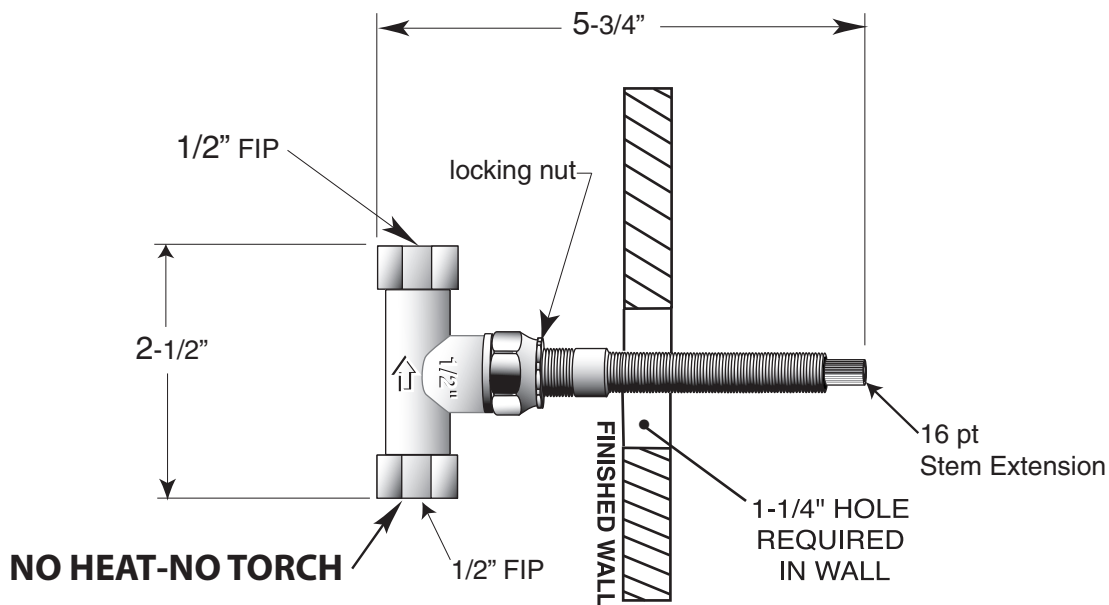
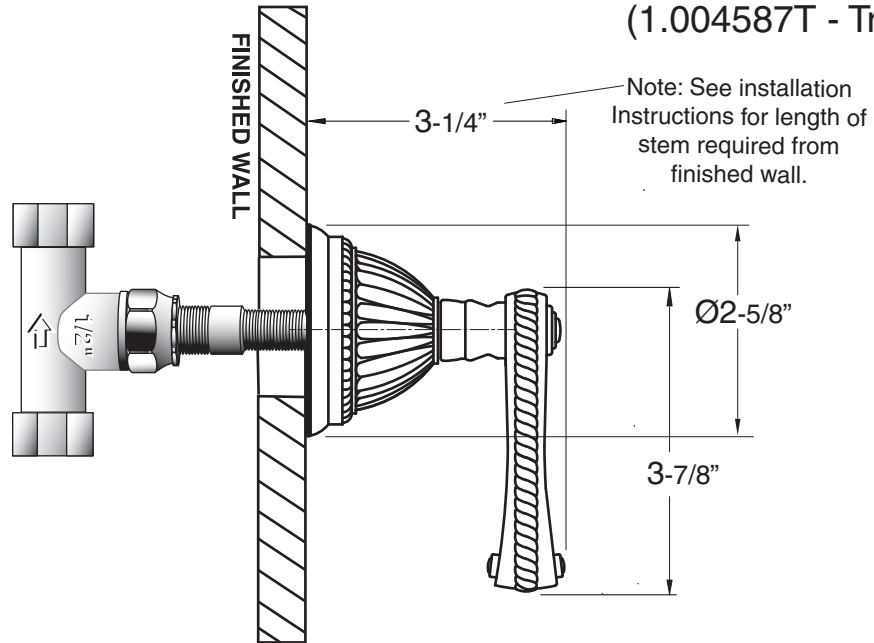
1.004587

Devon Handle

(1.004587T - Trim Only)

**FEATURES:**

- Certified to meet or exceed the following codes and standards:  
ASME A112-18.1 / CSA B125-1-2011
- Replacement cartridge P/N: 18.30.036



Note: Measurements are subject to change or cancellation. No responsibility is assumed for use of superseded or voided pages.