

FEATURES:

- Certified to meet or exceed the following codes and standards:
ASME A112-18.1 / CSA B125-1-2011
- Valve P/N: 18.30.162
- Replacement cartridge P/N: 18.30.036

1/2" In-Line Shut-Off

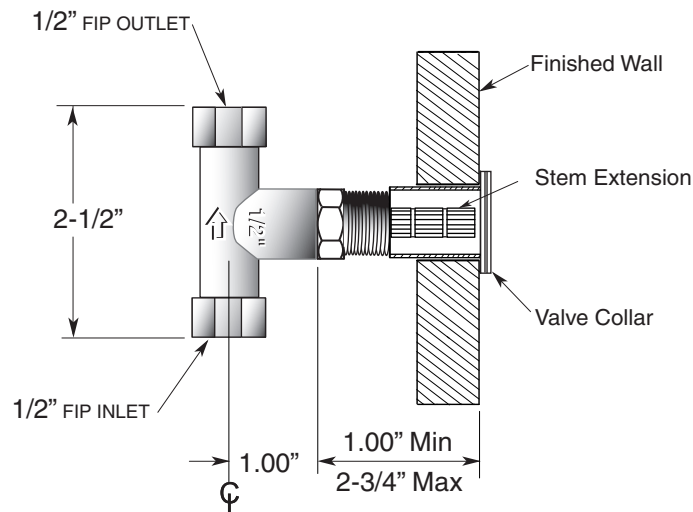
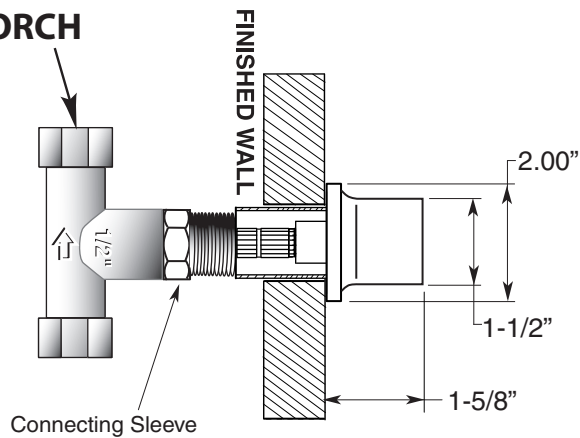
Valve & Trim

1.003887

Nuance Handle

(1.003887T - Trim Only)

NO HEAT-NO TORCH



Note: Measurements are subject to change or cancellation. No responsibility is assumed for use of superseded or voided pages.