

**FEATURES:**

- Forged brass construction.
- Thermostatic valve cartridge: 18.30.082
- Shut-off cartridge: (2) 18.30.036
- Screw driver spring check valve: (2) 18.30.181
- 14.5 GPM @ 45 PSI (9.5 top exit / 5.0 bottom exit)
- Meets: ASME A112.18.1/CSA B125.1-2011

**1/2" Thermostatic**

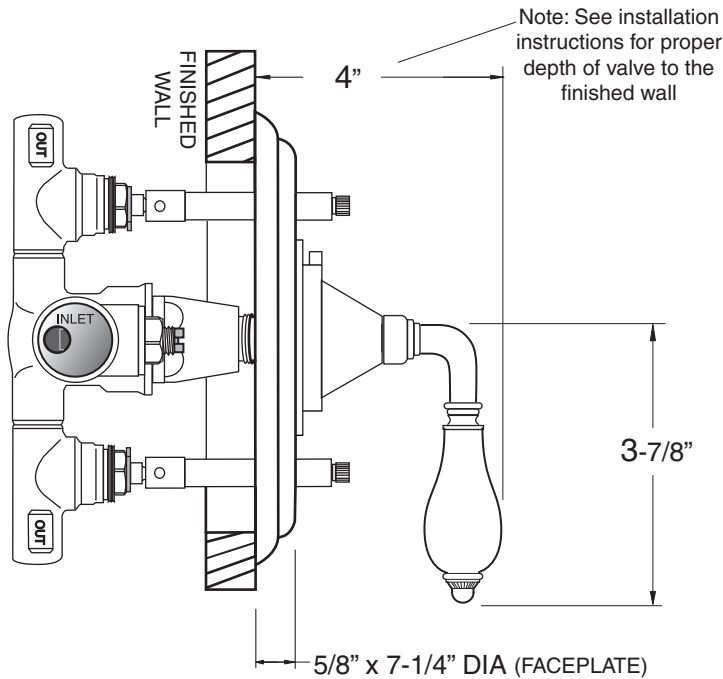
Two Volume Control  
Valve & Trim

1.002596.V2

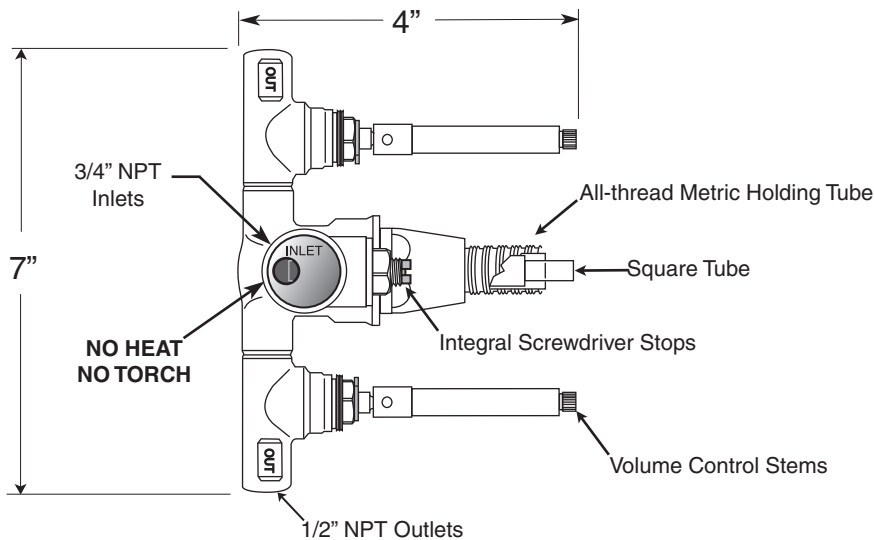
Venezia Handle

(1.002596.V2T Trim Only)

SIDE VIEW - INSTALLED



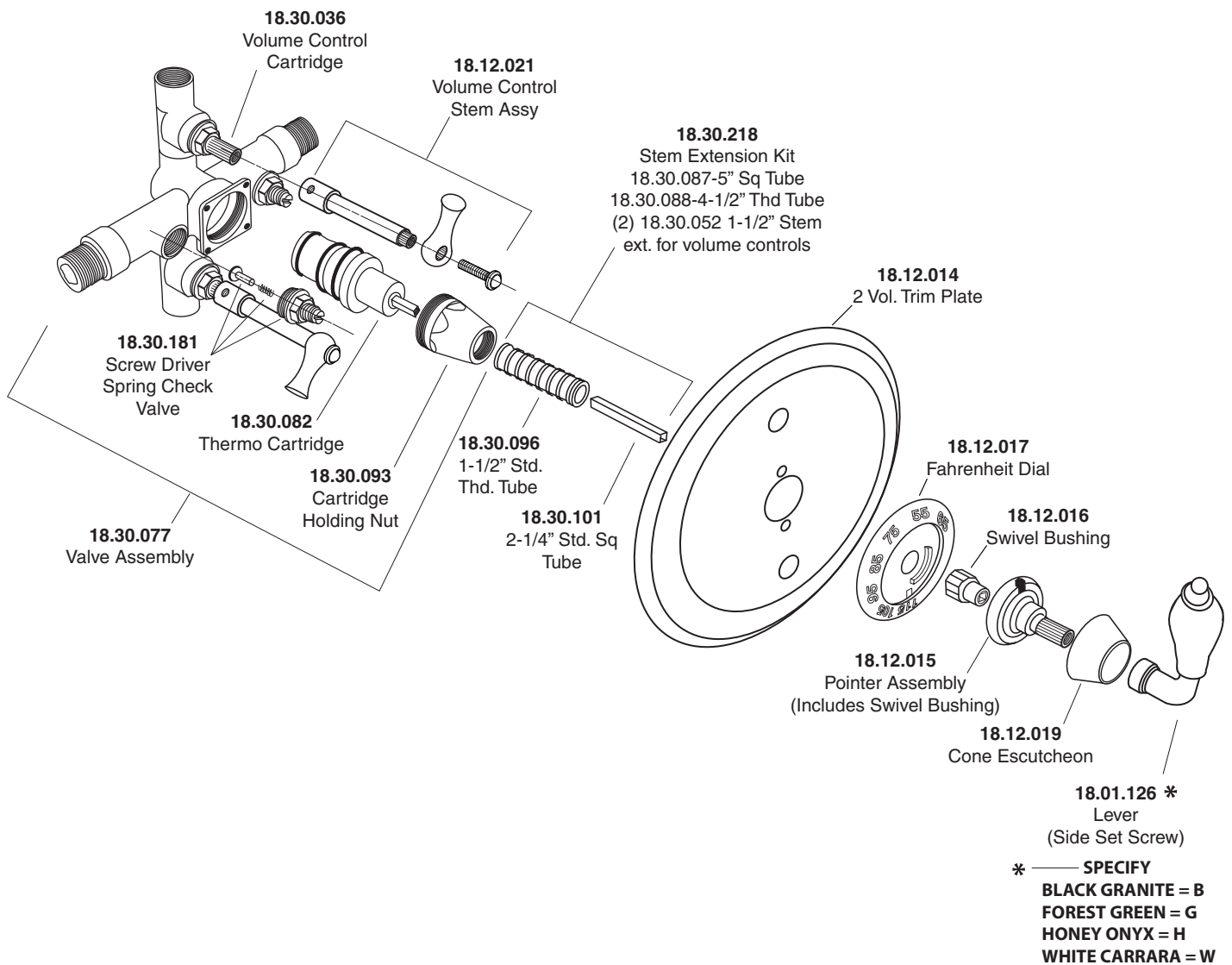
SIDE VIEW - VALVE ONLY



Note: Measurements are subject to change or cancellation. No responsibility is assumed for use of superseded or voided pages.

# Parts List Venezia

1/2" Thermostatic  
Two Volume Controls



American Faucet & Coatings Corporation.

Tel: 760-598-5895, Toll Free Fax 800-621-8383, customerservice@sigmafaucet.com