

**FEATURES:**

- Certified to meet or exceed the following codes and standards:  
ASME A112-18.1 / CSA B125-1-2011
- Replacement cartridge P/N: 18.30.036

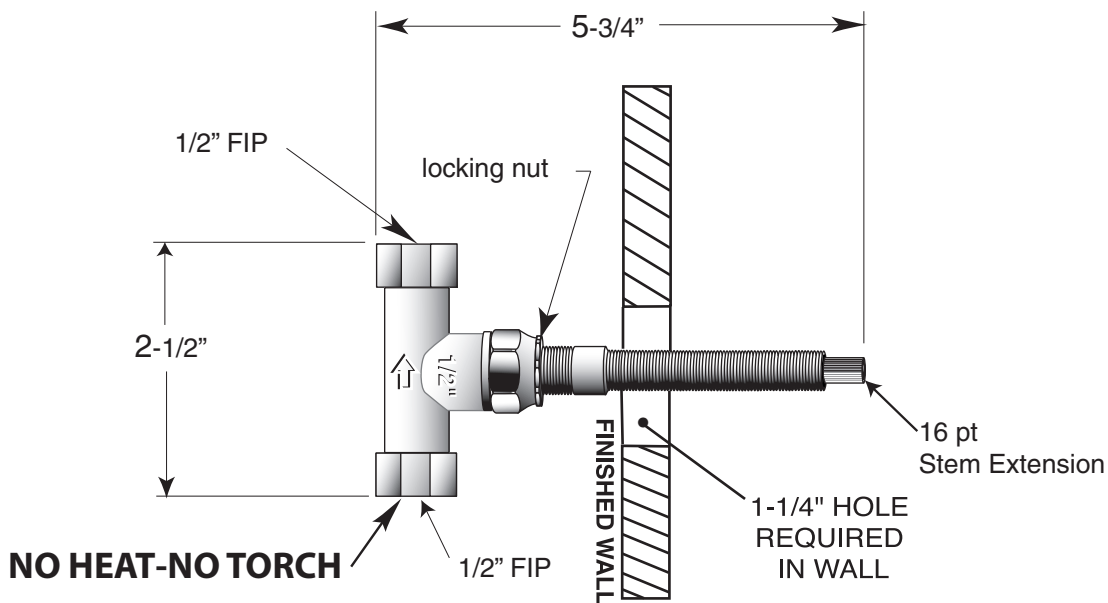
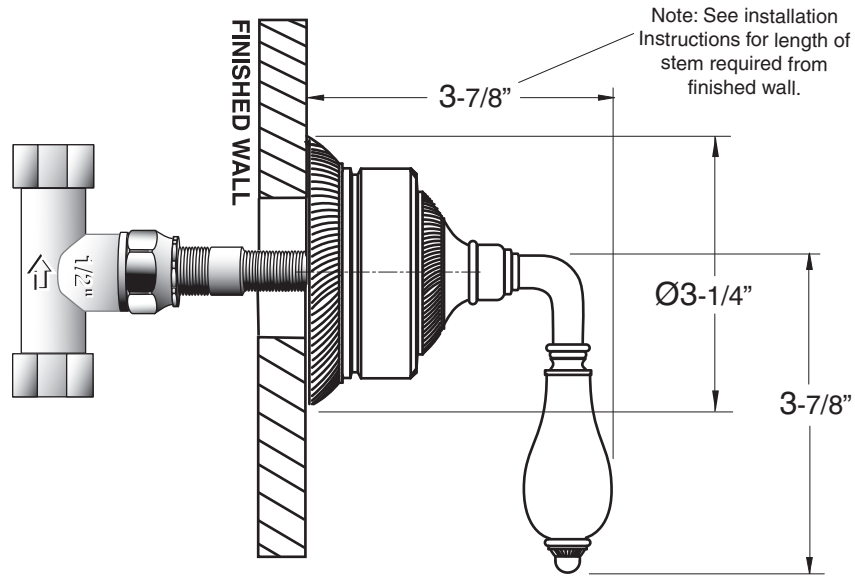
**1/2" In-Line Shut-Off**

Valve & Trim

1.002587

Venezia Handle

(1.002587T - Trim Only)



Note: Measurements are subject to change or cancellation. No responsibility is assumed for use of superseded or voided pages.