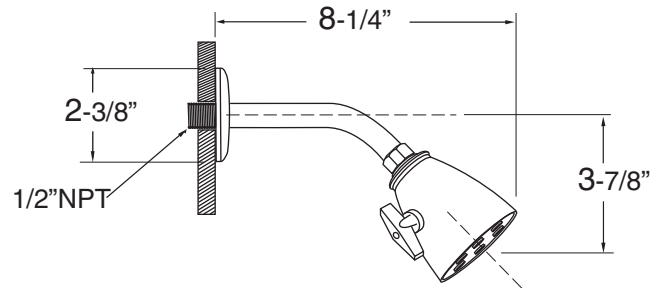
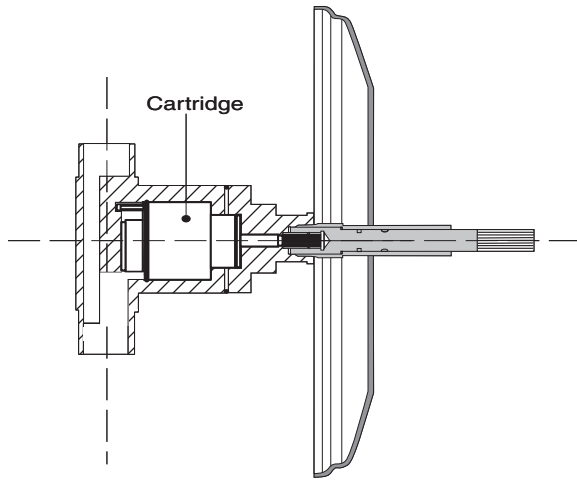


Features:

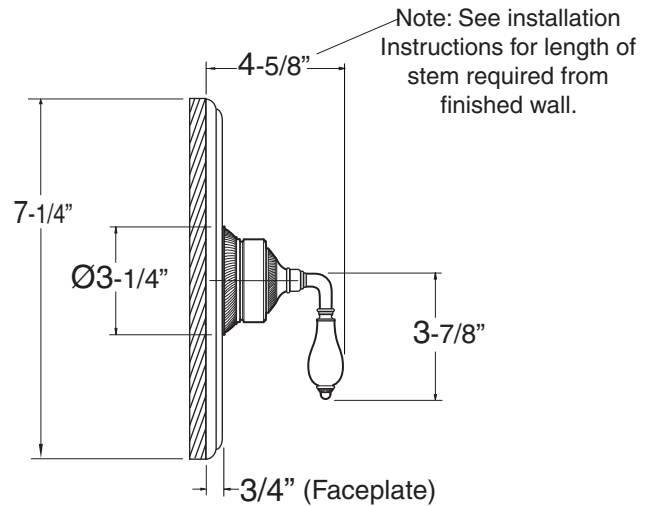
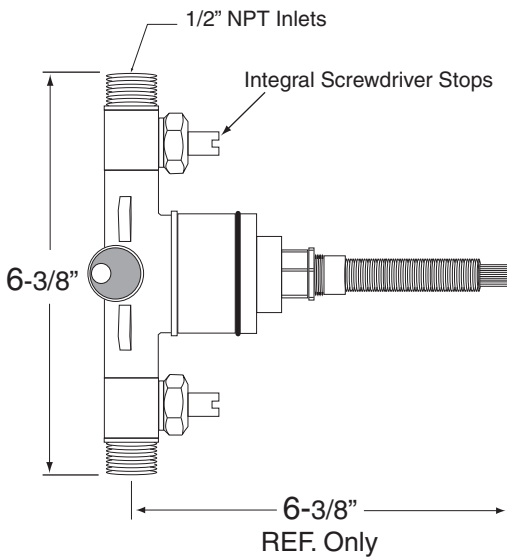
- Forged brass construction
- Ceramic disk valve cartridge 18.30.865
- Adjustable hot limit safety stop
- Reversible cartridge
- 5.6 GPM @ 45 PSI
- Certified to meet or exceed the following codes and standards:  
ASME A112.18.1/CSAB 125.1-2011
- Includes 6 Plunger Showerhead

Pressure Balance Shower Set  
1.002564D  
(1.002564DT Trim Only)

Cutaway View



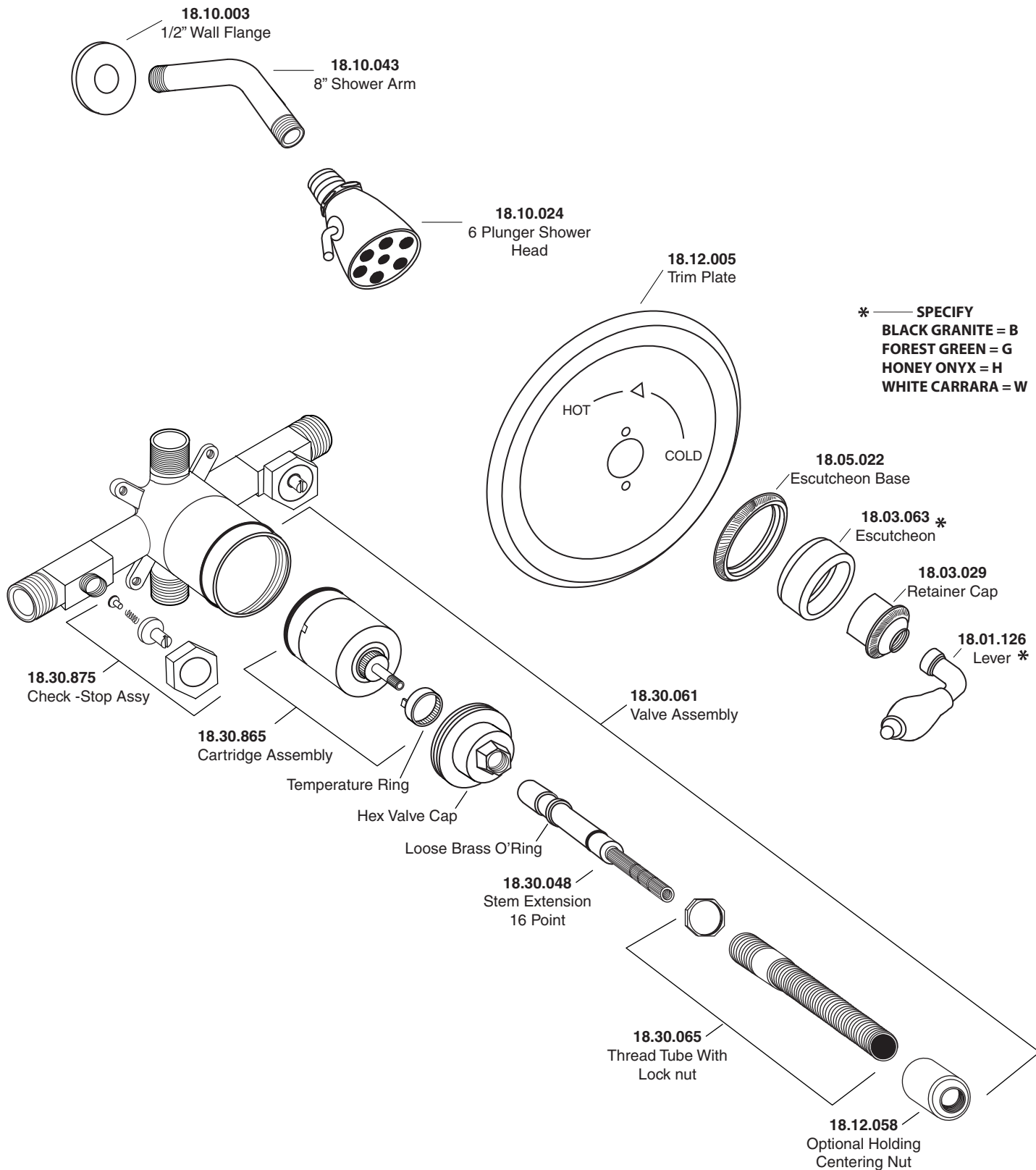
Top View



Note: Measurements are subject to change or cancellation. No responsibility is assumed for use of superseded or voided pages.

# Parts List Venezia

## Pressure Balance Shower Set



American Faucet & Coatings Corporation.

Tel: 760-598-5895, Toll Free Fax 800-621-8383, customerservice@sigmafaucet.com