

FEATURES:

- Certified to meet or exceed the following codes and standards:
ASME A112-18.1 / CSA B125-1-2011
- Replacement cartridge P/N: 18.30.036
- See catalog for decorative ring selection for this handle.

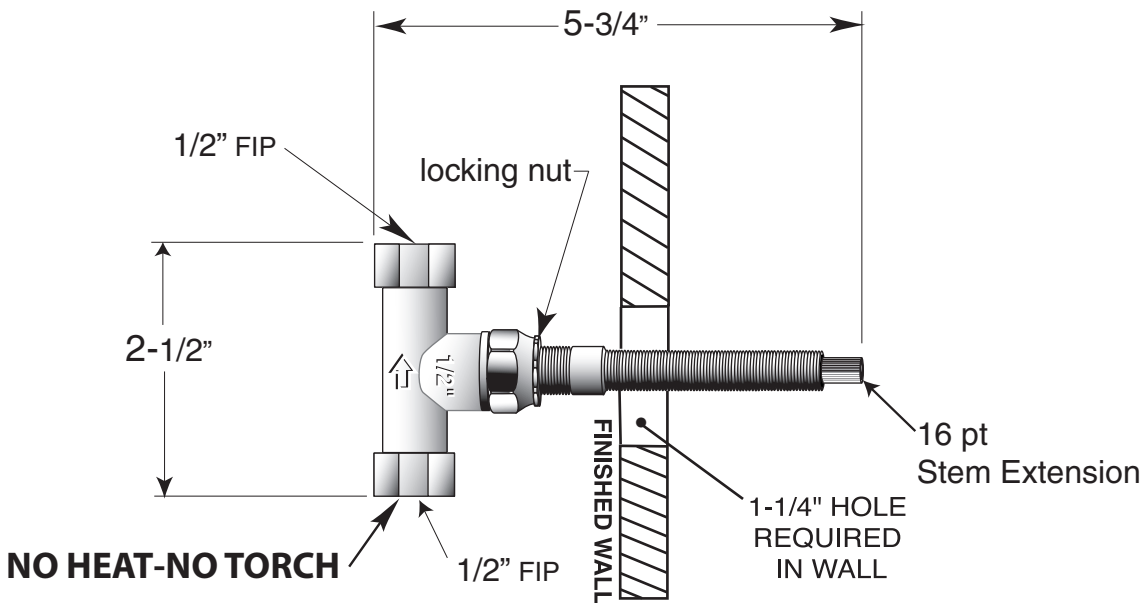
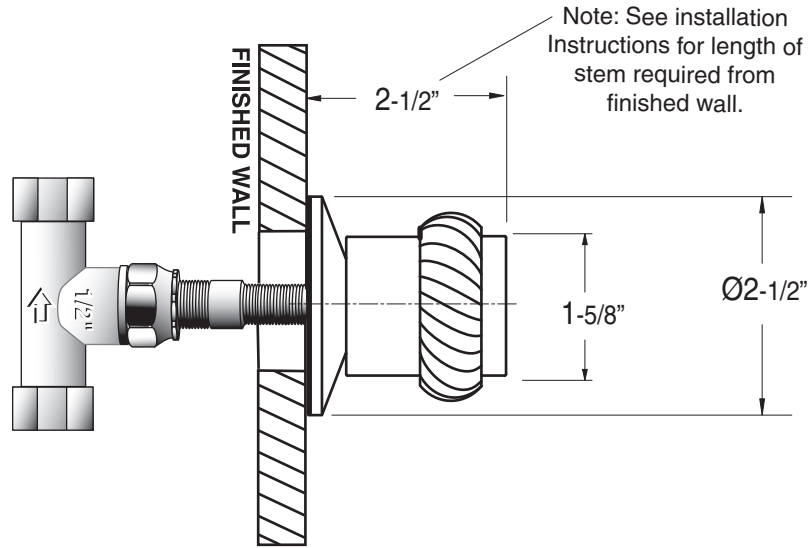
1/2" In-Line Shut-Off

Valve & Trim

1.001287

Seville Handle

(1.001287T - Trim Only)



Note: Measurements are subject to change or cancellation. No responsibility is assumed for use of superseded or voided pages.