

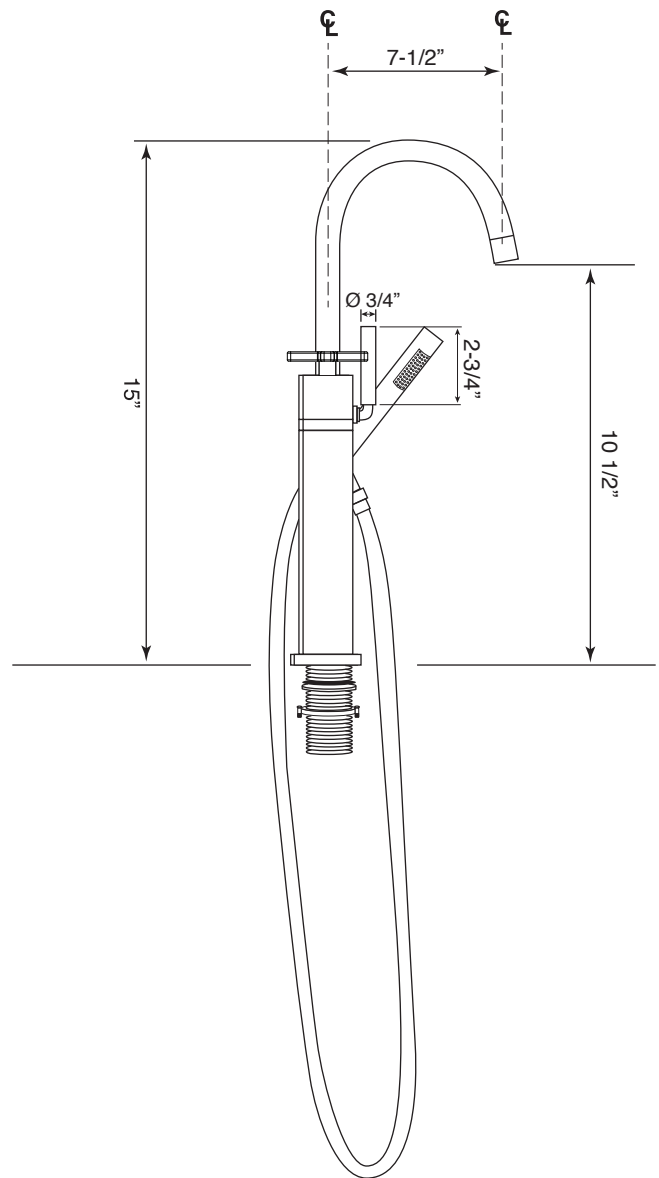
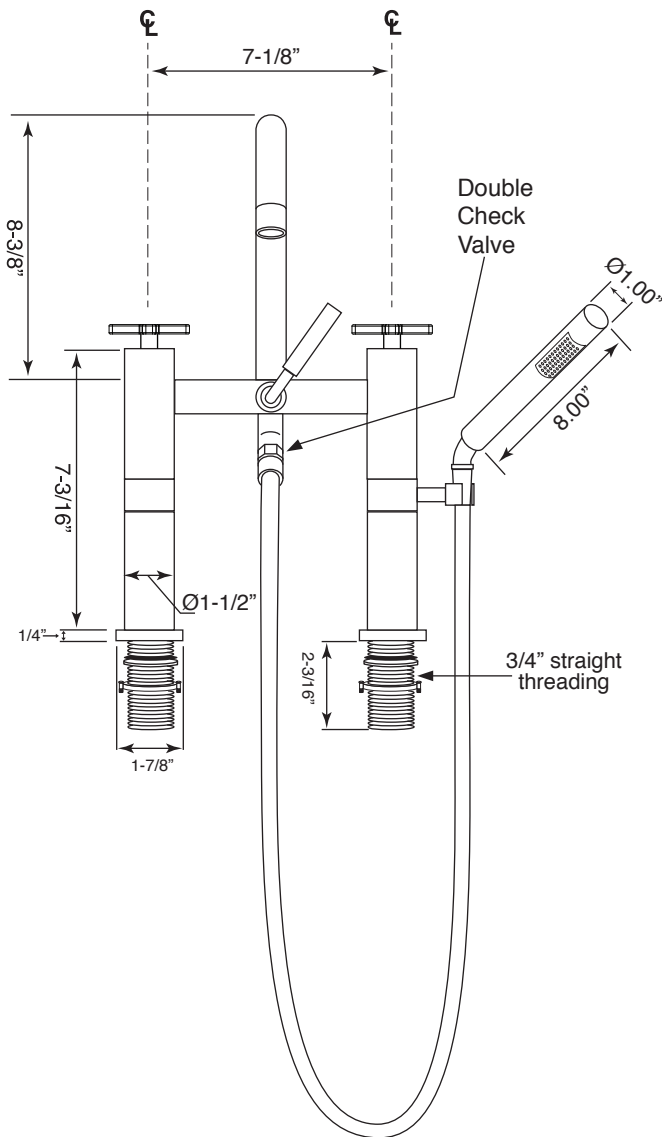
**FEATURES:**

- All brass construction.
- Available in all Sigma finishes
- Replacement cartridges  
18.30.010 - COLD / 18.30.011 - HOT
- Flow rate 7.5 gpm / 45 psi
- Meets: ASME A112.18.1-2005/CSA B125.1-2012

**SPECIFICATIONS**

**Contemporary Deckmount  
Tub Filler with Handshower**

1.0008510  
Stella X Handle



Note: Measurements are subject to change or cancellation. No responsibility is assumed for use of superseded or voided pages.